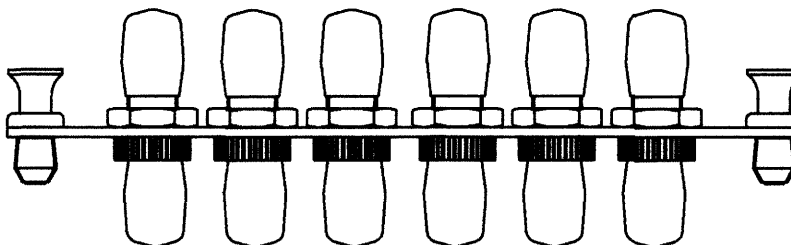
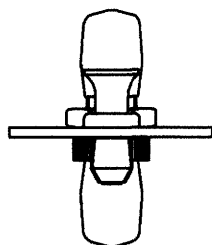
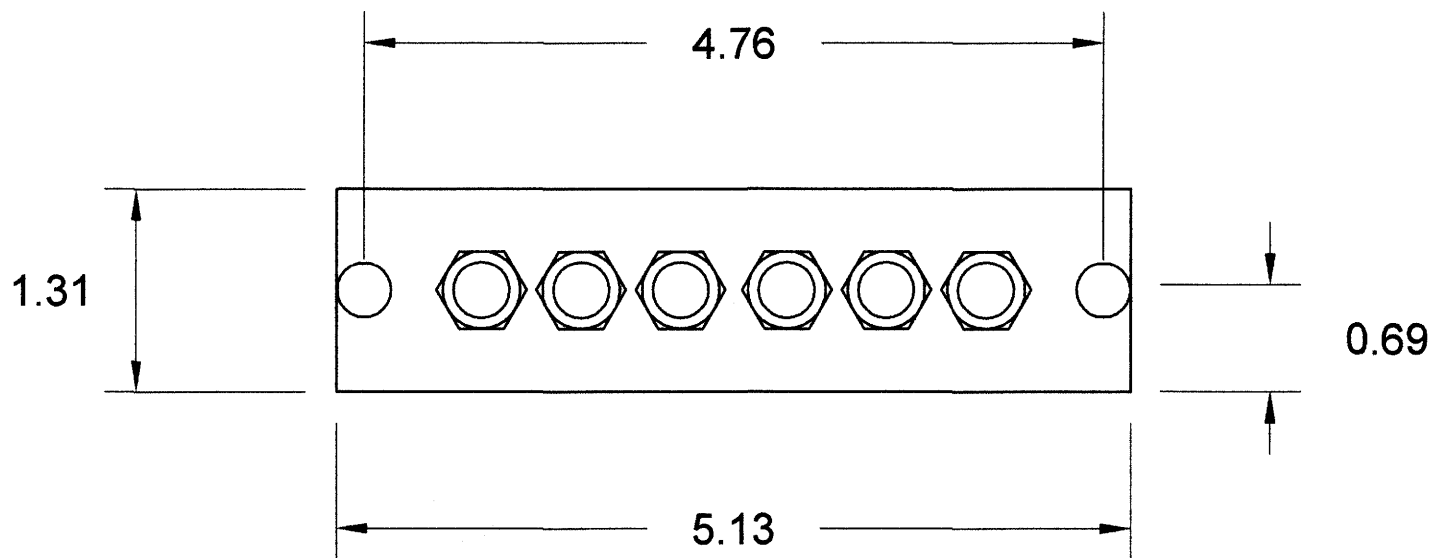


THE INFORMATION CONTAINED HEREON IS PROPRIETARY AND CONFIDENTIAL TO DYNACOM CORPORATION. AND SHALL NOT BE USED OR DISCLOSED, IN WHOLE OR IN PART WITHOUT FIRST OBTAINING THE WRITTEN PERMISSION OF DYNACOM CORPORATION.

ZONE	REV	DESCRIPTION	DATE	APPV.
-	A	INITIAL RELEASE	01/02/2012	E.A.

NOTES:

1. PLATE MATERIAL-0.062 COLD ROLLED STEEL.
FINISH-BLACK POWDER COAT.
2. SNAP PIN P/N: M-533, QUANTITY 2.
3. ST SIMPLEX FIBER COUPLER, QUANTITY 6,
COLOR SILVER WITH BLACK PLASTIC COVERS.



e-mail.....sales@dynacomcorp.com
Hayward, California 94544

ALL DIMENSIONS ARE IN INCHES.

NEXT ASSY: -	DRAWN: E.A. 01/06/2012	CHECKED: -
TITLE: 6 Port Adapter Panel		REV. A

920A-ST-6