

THE INFORMATION CONTAINED HEREON IS PROPRIETARY AND CONFIDENTIAL TO DYNACOM CORPORATION. AND SHALL NOT BE USED OR DISCLOSED, IN WHOLE OR IN PART WITHOUT FIRST OBTAINING THE WRITTEN PERMISSION OF DYNACOM CORPORATION. SPECIFICATIONS SUBJECT TO CHANGE WITHOUT NOTICE.

ZONE	REV.	DESCRIPTION	DATE	APPV.
-	A	INITIAL RELEASE	08/01/2021	E.A.
-	B			
-	C			
-	D			

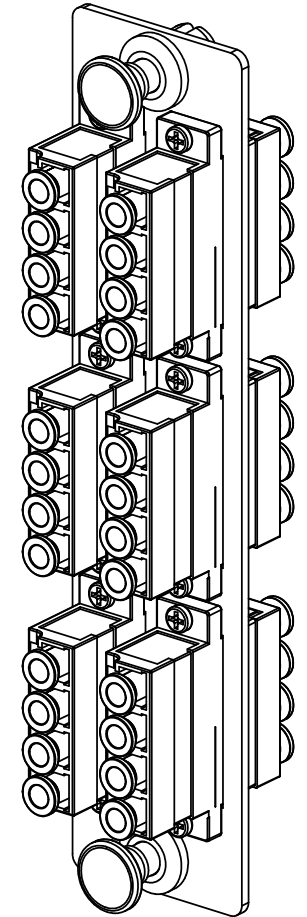
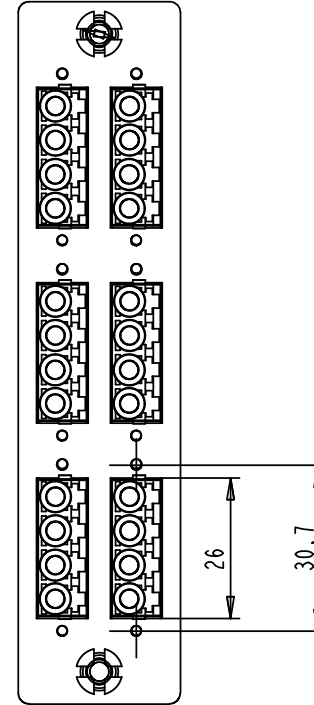
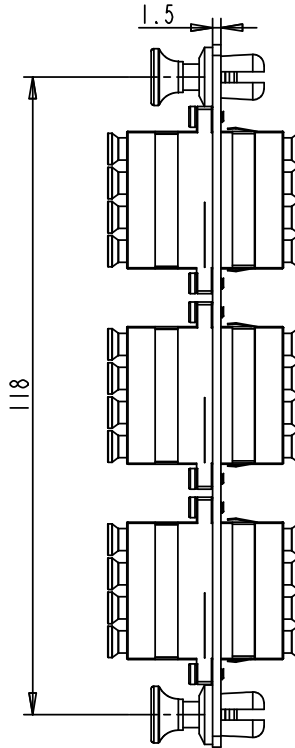
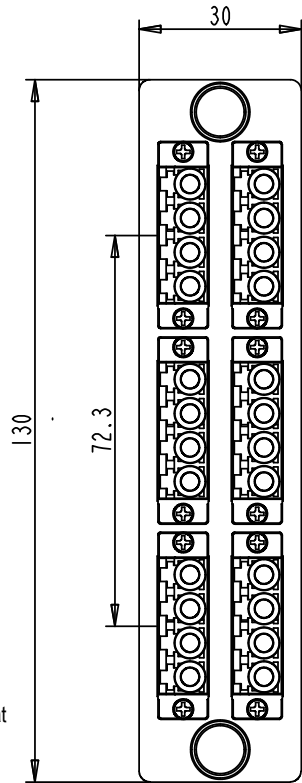


Plate Material: Cold Rolled Steel  
 Adapter Housing: PC Color: Aqua  
 Sleeve: Ceramic (Zirconia)  
 Adapter Plate Color: FINISH-Black Powder Coat  
 Plate Dimensions: 130x30x1.5(mm)

Adapter Performance:  
 Durability >1000 times  
 Wavelength 850 & 1330nm  
 Insertion Loss ≤ 0.2dB  
 Temperature Stability Additional Loss ≤ 0.2dB  
 Operating temperature: -40 to +75 °C  
 Storage temperature: -40 to +75 °C



e-mail...sales@dynacomcorp.com  
 www.dynacomcorp.com

DIMENSIONS: MM

NEXT ASSY: -

DRAWN: E.A.

CHECKED: A.L.

TITLE

FIBER OPTIC PANEL LC 24 F MM

DWG. NO.

SHEET 1 OF 1

REV.

920A-LC4-6-AQ

△