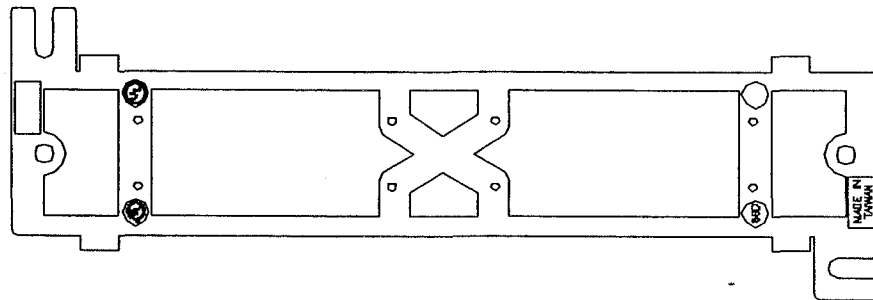
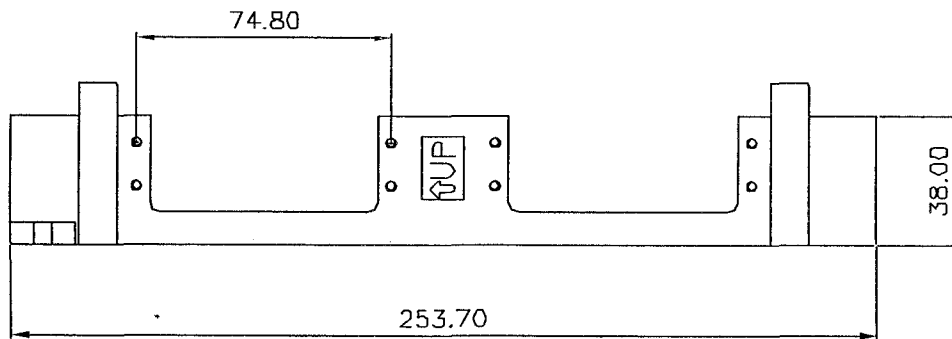
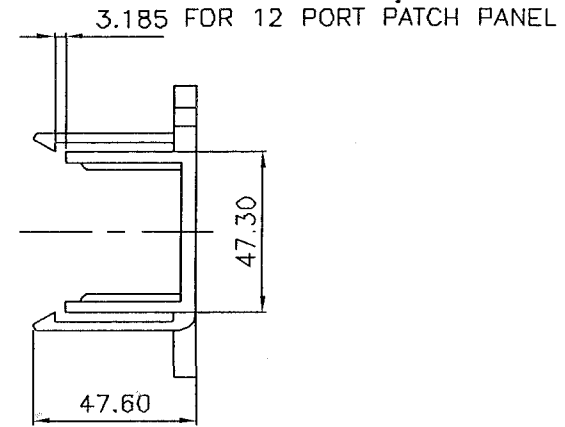
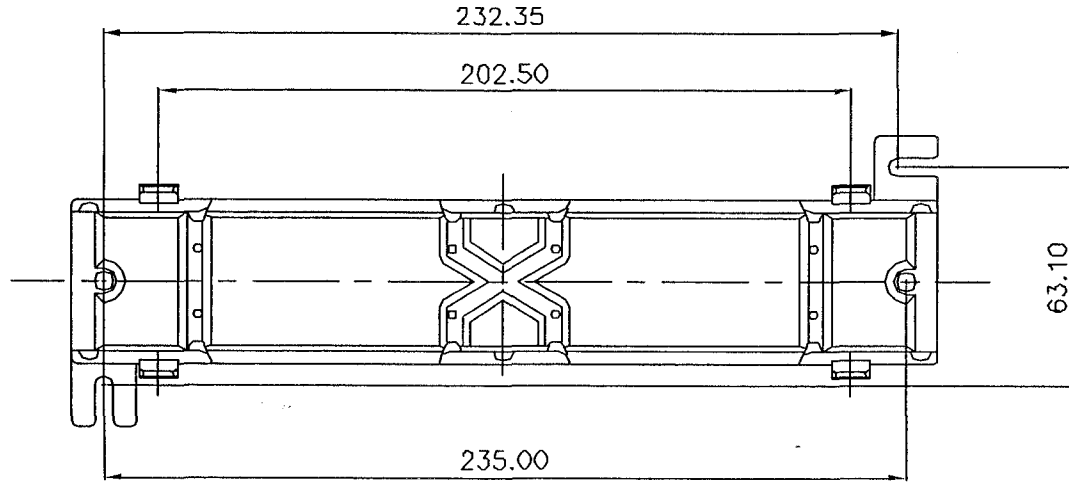


THE INFORMATION CONTAINED HEREON IS PROPRIETARY AND CONFIDENTIAL TO DYNACOM CORPORATION. AND SHALL NOT BE USED OR DISCLOSED, IN WHOLE OR IN PART WITHOUT FIRST OBTAINING THE WRITTEN PERMISSION OF DYNACOM CORPORATION. SPECIFICATIONS SUBJECT TO CHANGE WITHOUT NOTICE.

ZONE	REV	DESCRIPTION	DATE	APPV.
-	A	INITIAL RELEASE	03/12/2009	E.A.



email...sales@dynacomcorp.com

web...www.dynacomcorp.com

ALL DIMENSIONS ARE IN MILIMETERS.

NEXT ASSY: -	DRAWN: E.A. 03/12/2009	CHECKED: -
TITLE: D Bracket for 66 Blocks		89D
		REV. A