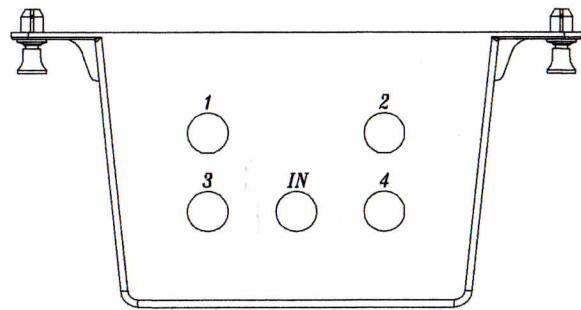


1 THE INFORMATION CONTAINED HEREON IS PROPRIETARY AND CONFIDENTIAL TO DYNACOM CORPORATION. AND SHALL NOT BE USED OR DISCLOSED, IN WHOLE OR IN PART WITHOUT FIRST OBTAINING THE WRITTEN PERMISSION OF DYNACOM CORPORATION.

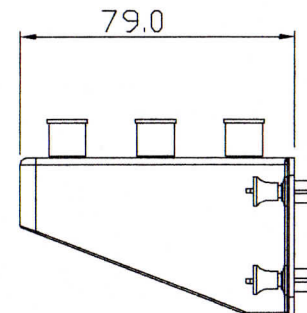
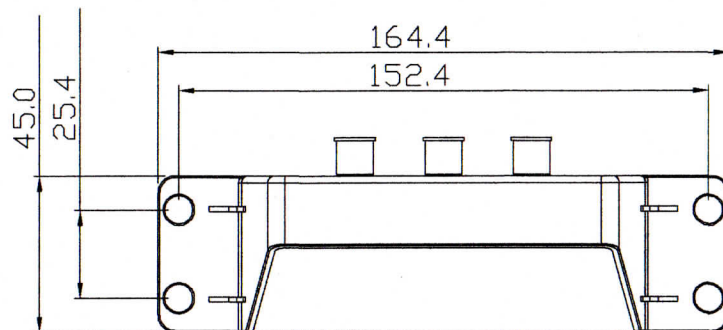
ZONE REV		DESCRIPTION	DATE	APPV.
-	A	INITIAL RELEASE	12/19/2012	E.A.



BANDWIDTH MHZ	5-47	47-470	470-750	750-1000
INSERTION LOSS IN-OUT (dB MAX)	7	7.5	8	8.1
RETURN LOSS INPUT (dB MIN)	18	18	18	18
RETURN LOSS OUTPUT (dB MIN)	20	20	20	20
ISOLATION OUT-OUT (dB MIN)	24	24	24	24

NOTES:

1. FFREQUENCY RANGE: 5-1000 MHZ



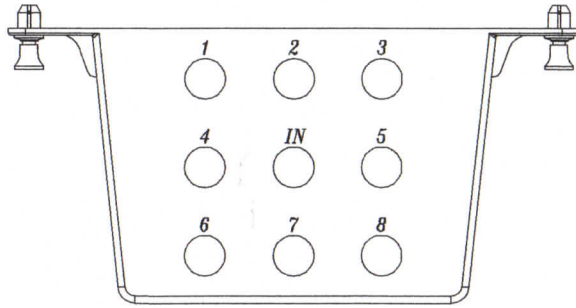
e-mail.....sales@dynacomcorp.com
webwww.dynacomcorp.com

DIMENSIONS ARE SHOWN IN MILIMETERS.

NEXT ASSY: -	DRAWN: E.A. 12/19/2012	CHECKED: -
Passive Video Hub 1GHz Splitter, 1 in - 4 out		DWG. NO. 800-F201-4
		REV. A

THE INFORMATION CONTAINED HEREON IS PROPRIETARY AND CONFIDENTIAL TO DYNACOM CORPORATION. AND SHALL NOT BE USED OR DISCLOSED, IN WHOLE OR IN PART WITHOUT FIRST OBTAINING THE WRITTEN PERMISSION OF DYNACOM CORPORATION.

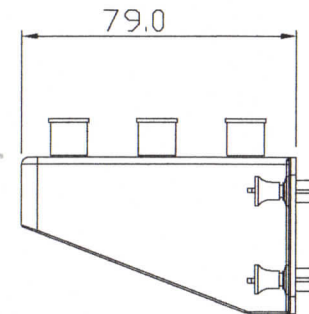
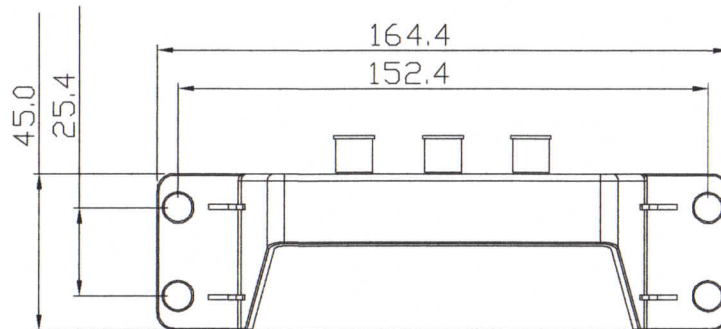
ZONE	REV	DESCRIPTION	DATE	APPV.
-	A	INITIAL RELEASE	12/19/2012	E.A.



BANDWIDTH MHZ	5-47	47-470	470-750	750-1000
INSERTION LOSS IN-OUT (dB MAX)	10.9	11	12	12.5
RETURN LOSS INPUT (dB MIN)	20	20	20	20
RETURN LOSS OUTPUT (dB MIN)	20	20	20	20
ISOLATION OUT-OUT (dB MIN)	21	21	21	21

NOTES:

1. FFREQUENCY RANGE: 5-1000 MHZ



e-mail.....sales@dynacomcorp.com
webwww.dynacomcorp.com

DIMENSIONS ARE SHOWN IN MILIMETERS.

NEXT ASSY: -	DRAWN: E.A. 12/19/2012	CHECKED: -
Passive Video Hub 1GHz Splitter, 1 in - 8 out		DWG. NO. 800-F201-8
		REV. A