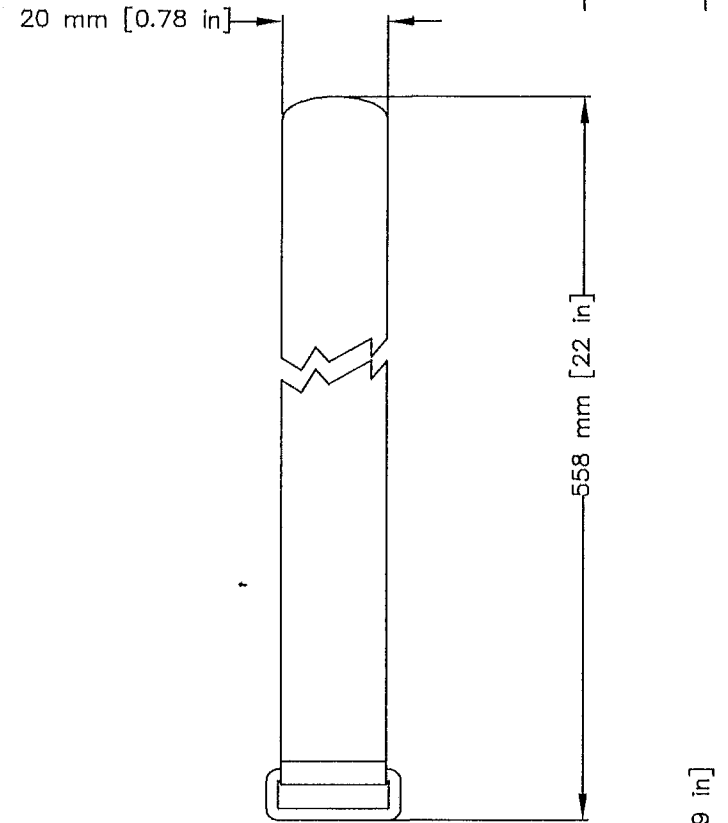
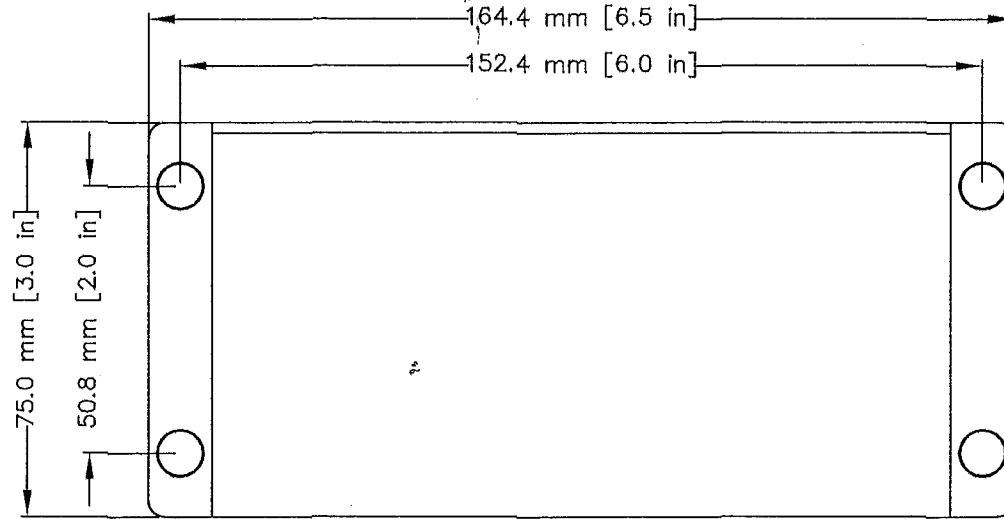


THE INFORMATION CONTAINED HEREON IS PROPRIETARY AND CONFIDENTIAL TO DYNACOM CORPORATION, AND SHALL NOT BE USED OR DISCLOSED, IN WHOLE OR IN PART, WITHOUT FIRST OBTAINING THE WRITTEN PERMISSION FROM DYNACOM CORPORATION.

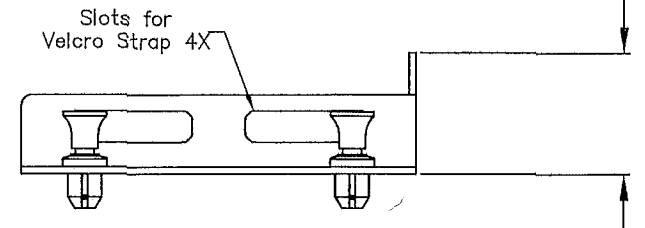
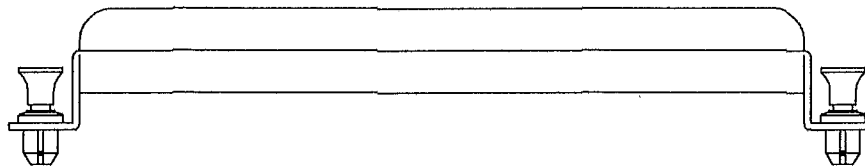
ZONE	REV	DESCRIPTION	DATE	APPV.
-	A	RELEASED.	06/04/2013	E.A.

Notes:

1. Bracket Material: Cold Rolled Steel/Powder Coated Black Color.
2. Velcro Strap with Buckle Included, Qty: 1.
3. Snap Pin P/N: M-533, Qty: 4



Velcro Strap with Buckle



e-mail.....sales@dynacomcorp.com  
Hayward, California 94544

Dimensions: mm - DO NOT SCALE DRAWING			
NEXT ASSY-	DRAWN: E.A. 06/04/2013	CHECKED: E.A.	
TITLE:	Flush Mounting Bracket	DWG. NO. 800-F102	SHEET 1 OF 1
			REV. A