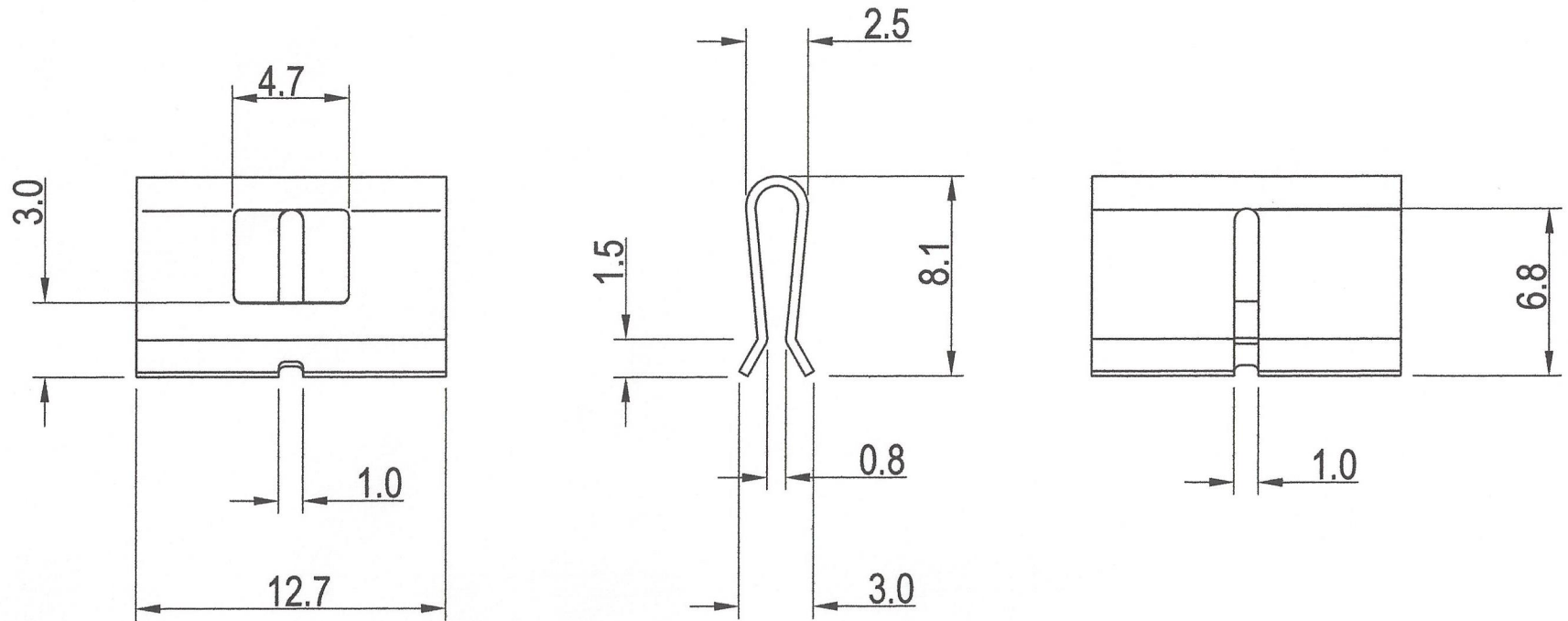


THE INFORMATION CONTAINED HEREON IS PROPRIETARY AND CONFIDENTIAL TO DYNACOM CORPORATION. AND SHALL NOT BE USED OR DISCLOSED, IN WHOLE OR IN PART WITHOUT FIRST OBTAINING THE WRITTEN PERMISSION OF DYNACOM CORPORATION. SPECIFICATIONS SUBJECT TO CHANGE WITHOUT NOTICE.

ZONE	REV.	DESCRIPTION	DATE	APPV.
-	A	INITIAL RELEASE	05/04/2015	E.A.

NOTES:

1. MATERIAL: STAINLESS STEEL.
2. QUANTITY PER PACK: 100
3. VOICE GRADE-NOT SUITABLE FOR DATA.
4. NO TOOLS REQUIRED, SIMPLY PRESS ONTO SPLIT TERMINALS.



e-mail...sales@dynacomcorp.com
www.dynacomcorp.com

TOLS ~ 20MM ± 0.2MM, OVER 20MM TO 60MM ± 0.4MM, OVER 60MM ± 0.8MM. ANGLES ± 1 DEG

NEXT ASSY: -	DRAWN: E.A. 05/04/2015	CHECKED: EA
TITLE	DWG. NO.	SHEET 1 OF 1
66 BLOCK BRIDGE CLIP	66BC-SS	REV. A