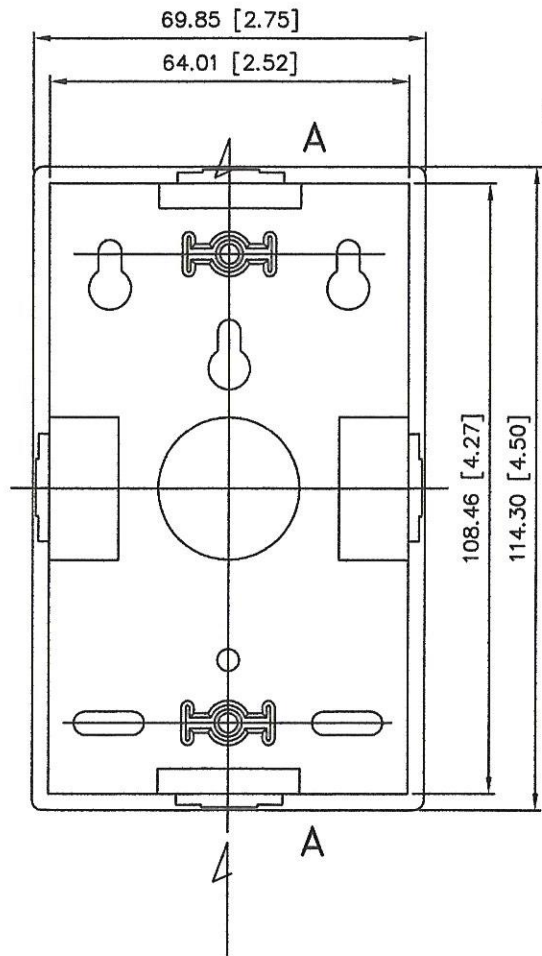


THE INFORMATION CONTAINED HEREON IS PROPRIETARY AND CONFIDENTIAL TO DYNACOM CORPORATION. AND SHALL NOT BE USED OR DISCLOSED, IN WHOLE OR IN PART WITHOUT FIRST OBTAINING THE WRITTEN PERMISSION OF DYNACOM CORPORATION.

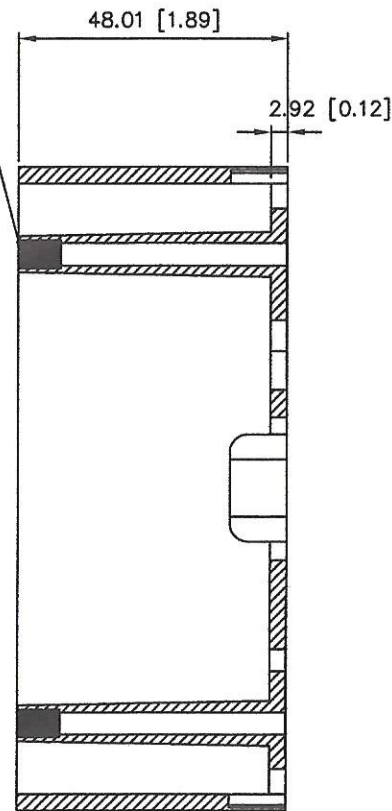
ZONE	REV.	DESCRIPTION	DATE	APPV.
-	A	INITIAL RELEASE	04/01/2015	E.A.

NOTES:

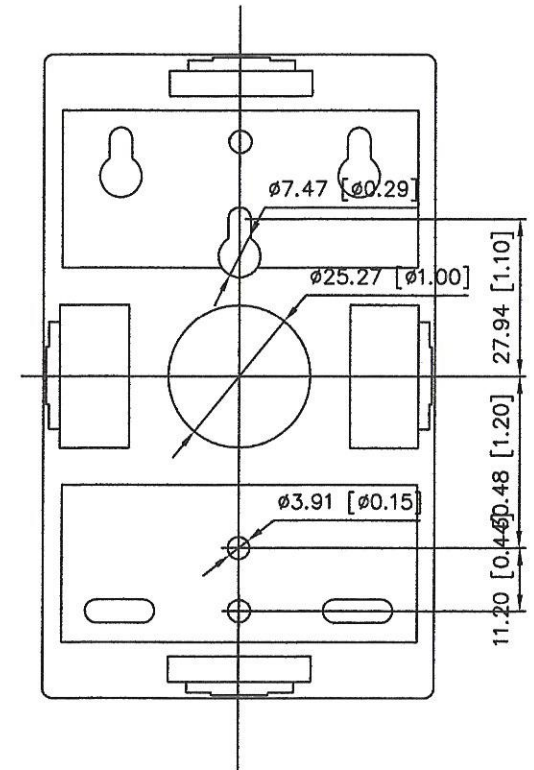
1. MATERIAL: ABS, MUST MEET UL94V-0 RATING.
2. INSTALL #6-32 THREADED BRASS INSERT.



NOTE 2.



Section: -



e-mail...sales@dynacomcorp.com
www.dynacomcorp.com

TOLS ~ 20MM ± 0.2MM, OVER 20MM TO 60MM ± 0.4MM, OVER 60MM ± 0.8MM. ANGLES ± 1 DEG

NEXT ASSY: -	DRAWN: E.A. 04/01/2015	CHECKED: EA
TITLE Mounting Box	DWG. NO. 630MBD-XX	SHEET 1 OF 1 REV. A