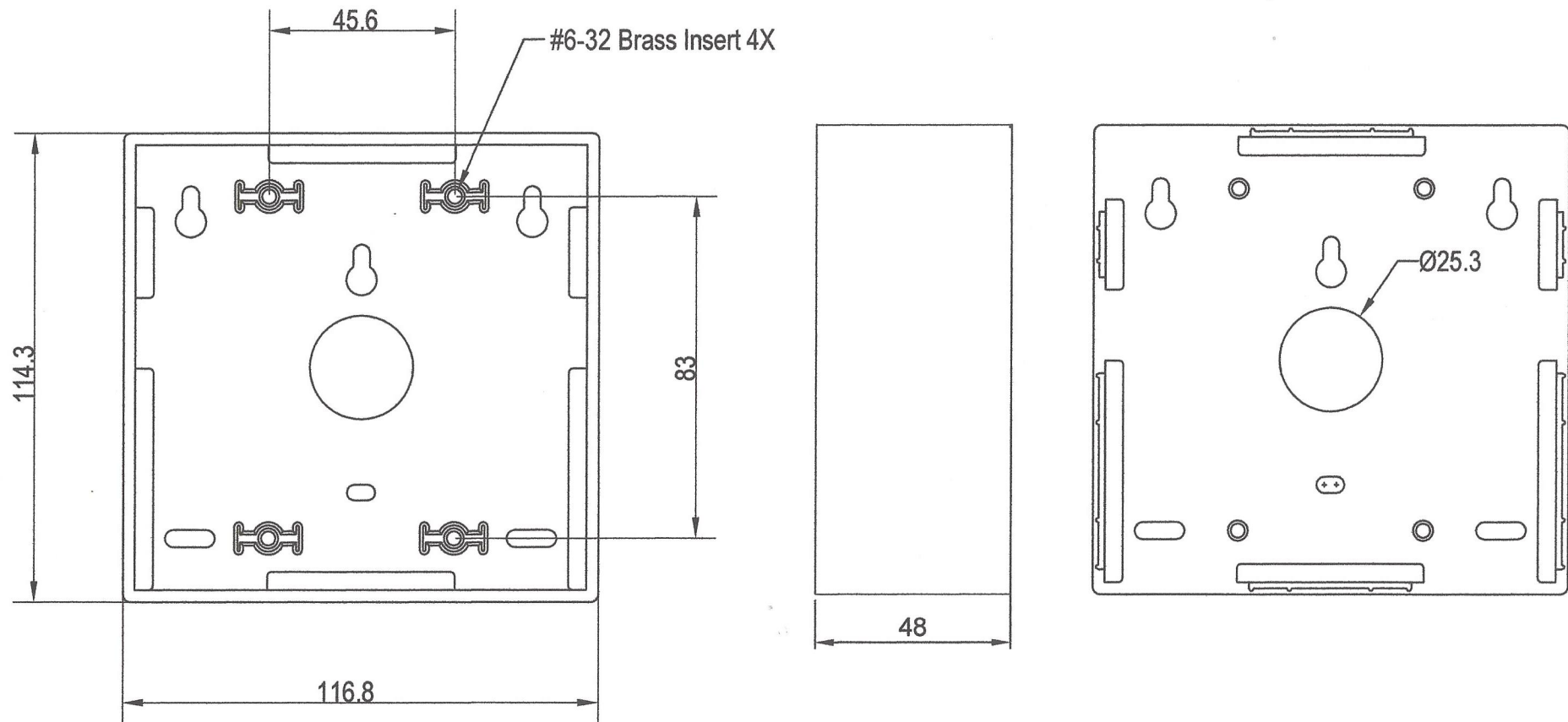


THE INFORMATION CONTAINED HEREON IS PROPRIETARY AND CONFIDENTIAL TO DYNACOM CORPORATION. AND SHALL NOT BE USED OR DISCLOSED, IN WHOLE OR IN PART WITHOUT FIRST OBTAINING THE WRITTEN PERMISSION OF DYNACOM CORPORATION. SPECIFICATIONS SUBJECT TO CHANGE WITHOUT NOTICE.

ZONE	REV.	DESCRIPTION	DATE	APPV.
-	A	INITIAL RELEASE	03/30/2017	E.A.

Notes:

1. Features: Mounting Box, 48 mm High.
2. Material: ABS 94V-O Fire Retardent Plastic
3. Hardware: Screws-Self Tap, Combo Head. Qty. 2
4. Adhesive Pad, Double Sided. Qty. 1



e-mail...sales@dynacomcorp.com
www.dynacomcorp.com

TOLS ~ 20MM ± 0.2MM, OVER 20MM TO 60MM ± 0.4MM, OVER 60MM ± 0.8MM. ANGLES ± 1 DEG			
NEXT ASSY: -	DRAWN: E.A. 03/30/2017	CHECKED: EA	
TITLE	DWG. NO.	SHEET 1 OF 1	REV.
Mounting Box, Double Gang	630-DGMB-XX		A