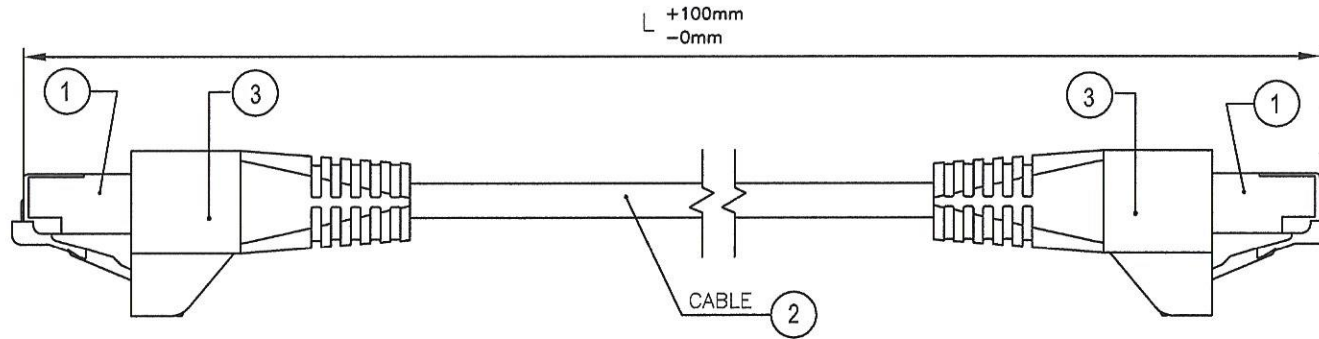


THE INFORMATION CONTAINED HEREON IS PROPRIETARY AND CONFIDENTIAL TO DYNACOM CORPORATION. AND SHALL NOT BE USED OR DISCLOSED, IN WHOLE OR IN PART WITHOUT FIRST OBTAINING THE WRITTEN PERMISSION OF DYNACOM CORPORATION. SPECIFICATIONS SUBJECT TO CHANGE WITHOUT NOTICE.

ZONE	REV.	DESCRIPTION	DATE	APPV.
-	A	INITIAL RELEASE	03/29/16	E.A.



NOTES: T568B

Mechanical Specifications

Plug
 Assembly: Compatible with FCC Part 68 Subpart F.
 Housing: UL Listed 94V-0 Flame-Retardant PC (PolyCarbonate)
 IDC Blades: Phosphor Bronze
 Contact Area of Blades is selected plated with 50 micro-inches of hard Gold over 100 micro-inches of Nickel.
 Shield: Brass alloy plated with 100 micro inch Nickel.
Cordage
 Jacket Dimension: Diameter < 0.25 inches
 Construction: CAT 6 FTP 26 AWG 7 Stranded 4-pair Copper Wire Conductor. High Density Polyethylene Insulation Material. Fire retardant PVC compounds jacket.

ENVIRONMENTAL CONDITIONS

Temperature Range
 Storage -40 to +70°C
 Operation -10 to +60°C
 Relative Humidity (Operational): Maximum Noncondensing 93%

ELECTRICAL

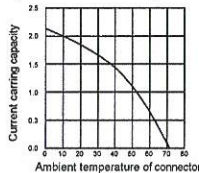
Electrical Insulation Resistance: 500 MΩ min. @ 100V d.c.
 Dielectric Withstanding Voltage: 1000V d.c. or a.c. Peak, contact to contact. 1500V d.c. or a.c. Peak, contact to test panel.
 Contact Resistance : 20 MΩ Max.
 Current Rating : As chart.

MECHANICAL

Retention : 50N (11 lbf) for 60s±5s
 Insertion / Extraction Life: 750 Cycles Minimum
 Tensile Strength: ≥ 20N per Wire

Transmission Performance

Meets CAT6A Channel Requirements in ANSI/TIA-568-C.2



Item	Description	Material	Qty.
1	FTP PLUG ASSY	Polycarbonate, 94V-0, the contact area of blades is selected plated with 50micro-inches of hard gold over 100micro-inches of Nickel.	2
2	CAT6A PATCH CABLE FTP (CHANNEL) 26 AWG	Fire Retardant PVC compounds.	1
		LC4PRXM3IXX-FG6TG CM 75 degrees C 4 PR 26 AWG FT4 10G CAT6	
3	ASSEMBLED SR	Fire retardant PVC compounds.	2



e-mail...sales@dynacomcorp.com
 www.dynacomcorp.com

TOLS ~ 20MM ± 0.2MM, OVER 20MM TO 60MM ± 0.4MM, OVER 60MM ± 0.8MM. ANGLES ± 1 DEG

NEXT ASSY: - DRAWN: E.A. 03/29/2016 CHECKED: EA

TITLE: Cat6A Shielded Patch Cords DWG. NO. 600ASXX-XX SHEET 1 OF 1 REV. A