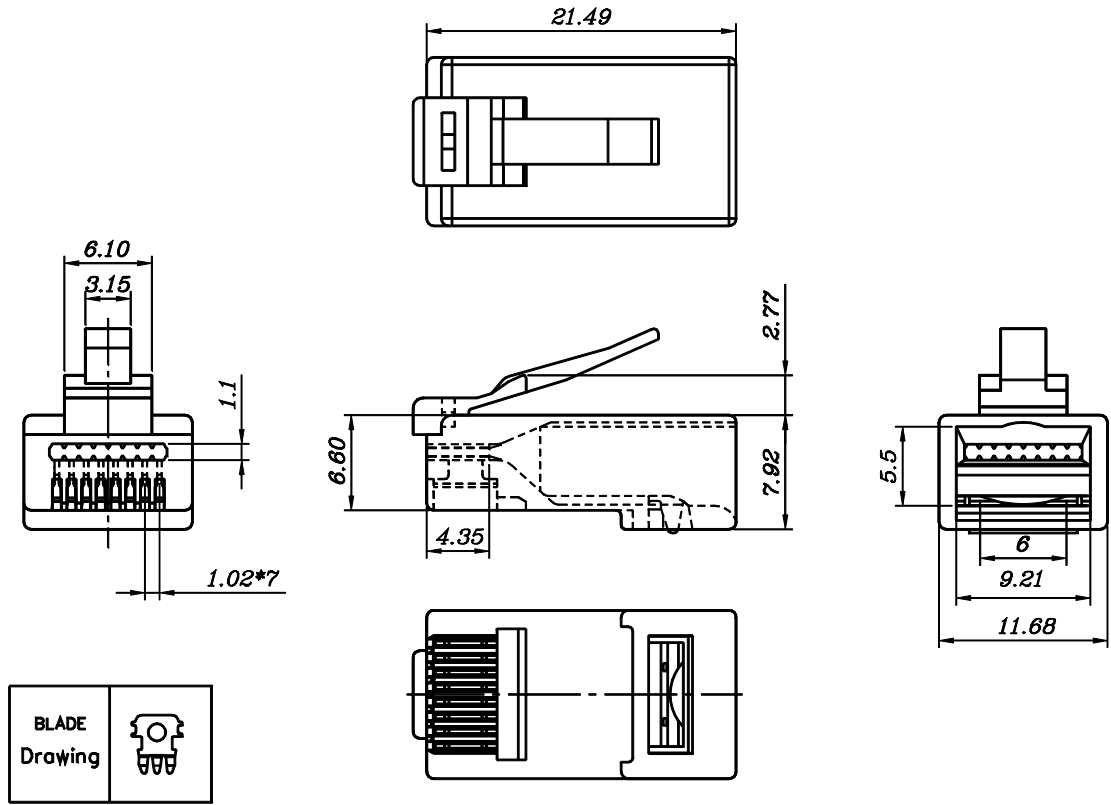


THE INFORMATION CONTAINED HEREON IS PROPRIETARY AND CONFIDENTIAL TO DYNACOM CORPORATION. AND SHALL NOT BE USED OR DISCLOSED, IN WHOLE OR IN PART WITHOUT FIRST OBTAINING THE WRITTEN PERMISSION OF DYNACOM CORPORATION. SPECIFICATIONS SUBJECT TO CHANGE WITHOUT NOTICE.

ZONE	REV.	DESCRIPTION	DATE	APPV.
-	A	INITIAL RELEASE	10/01/2021	E.A.
-	B			
-	C			
-	D			



SPECIFICATIONS

1.ELECTRICAL:

UL APPLICATIONS: 250 VOLTS AC MAX. AT 2 AMPS.
 DIELECTRIC WITHSTANDING VOLTAGE : 1000 VOLTS AC. 60 SEC.
 INSULATION RESISTANCE: 500 MΩ.
 CONTACT RESISTANCE: 20mΩ MAX.
 OPERATING AMBIENT TEMPERATURE: -40°C ~ 70°C.

2.MECHANICAL:

STRAIN RELIFE: 20POUND MIN.
 DURABILITY: 1200 MATING CYCLES.

3.MATERIAL:

HOUSING: POLYCARBONATE, UL94V-0.
 COLOR: TRANSPARENT.
 CONTACT BLADE: COPPER ALLOY.
 GOLD PLATING: 50u".

4. USAGE:

SUITABLE FOR STRANDED & SOLID WIRE 23AWG ~ 26 AWG.
 (It can be used for the wire OD from Ø 0.93 ~ Ø1.04)



e-mail...sales@dynamocorp.com

www.dynamocorp.com

DIMENSIONS: MM

NEXT ASSY: -

DRAWN: E.A.

CHECKED: A.L.

TITLE

CAT6 PASS THROUGH PLUG

DWG. NO.

SHEET 1 OF 1

REV.

401PR-C6

A