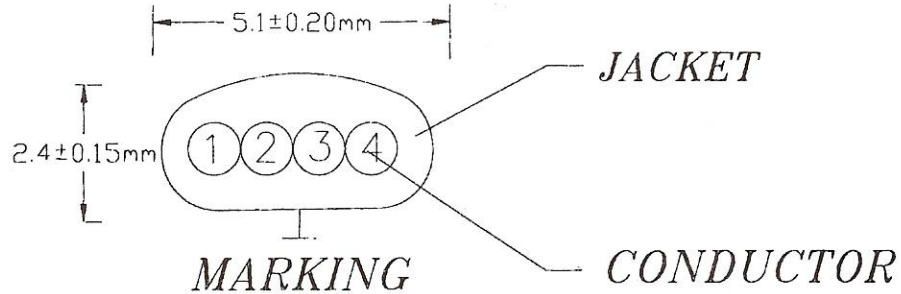


Product	Part NO.	Sheet NO.	Date
26AWG(7/0.16)x4K FLAT telephone cable	400W-4 (Silver Satin)	44276-A	2005-09-30



1. Product description:

Bare copper stranded , Polypropylene insulated , FLAT telephone cord .

Flame retardant PVC jacket.

2. Insulation:

Conductor	Insulation		Color code	
	MAT' L	O. D		
26AWG (7/0.16)	PP	0.95 ± 0.05mm	1. Black 3. Green	2. Red 4. Yellow

3. Jacket:

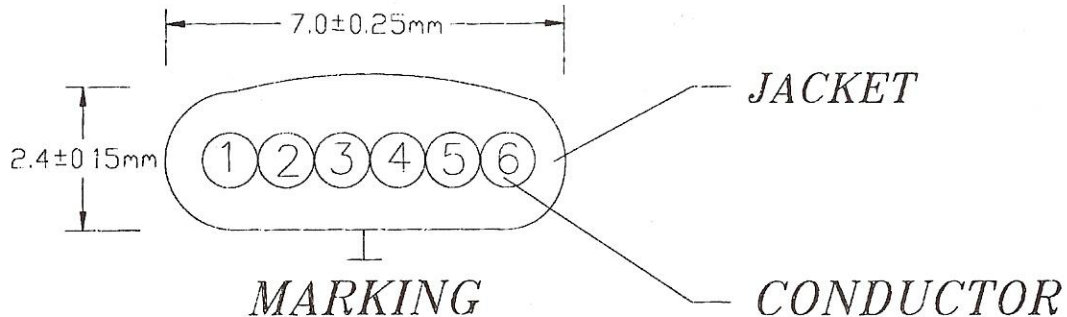
MAT' L	O. D	Color
FR-PVC	(2.4 ± 0.15)x(5.1 ± 0.20)mm	Silver Grey
Marking	DYNACOM AWM Exxxxx (FACTORY I. D. CODE) STYLE 20251 60°C 150V VW-1 CSA	
White	LLxxxxx AWM II A/B 60°C 300V FT1 26AWG	
Factory I. D. code	UL E89980 E89980-A	CSA LL64151 LL64151

4. Standards & Electrical & Physical properties

- a. UL & CSA style : UL AWM 20251 & CSA AWM II A/B
- b. Temperature & Voltage rating: 60°C 150V & CSA 60°C 300V
- c. Conductor Resistance : 142 OHMS/KM MAX. at 20°C
- D . Spark test : 2KV in air.

Approved	L.C. Yoo	Checked	C-P. Kim 5/2/30.05	Designed	W.S. Yung 9/30
----------	----------	---------	-----------------------	----------	----------------

Product	Part NO.	Sheet NO.	Date
26AWG(7/0.16)x6K FLAT telephone cable	400W-6 (Silver Satin)	44275-A	2005-09-30



1. Product description:

Bare copper stranded , Polypropylene insulated , FLAT telephone cord .

Flame retardant PVC jacket.

2. Insulation:

Conductor	Insulation		Color code		
	MAT'L	O. D			
26AWG (7/0.16)	PP	0.95 ± 0.05mm	1. White	2. Black	3. Red
			4. Green	5. Yellow	6. Blue

3. Jacket:

MAT'L	O. D	Color
FR-PVC	(2.4 ± 0.15)x(7.0 ± 0.25)mm	Silver Grey

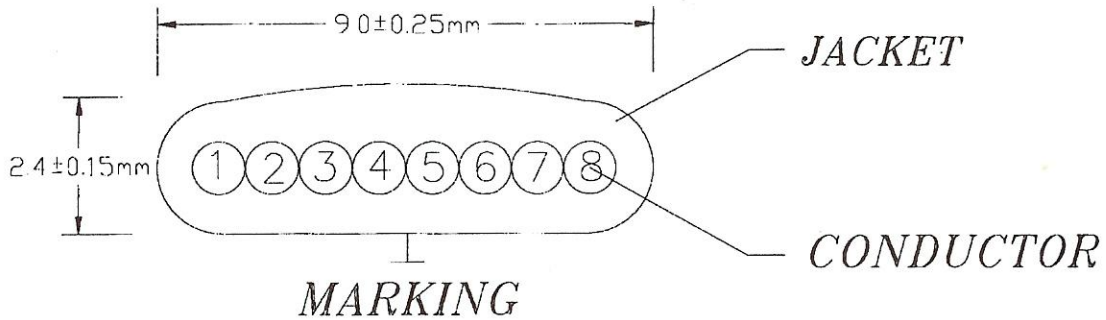
Marking	DYNACOM AWM Exxxxx (FACTORY I. D. CODE) STYLE 20251 60°C 150V VW-1 CSA				
White	LLxxxxx AWM II A/B 60°C 300V FT1 26AWG				
Factory I. D. code	UL E89980	CSA LL64151			
	E89980-A	LL64151			

4. Standards & Electrical & Physical properties

- a. UL & CSA style : UL AWM 20251 & CSA AWM II A/B
- b. Temperature & Voltage rating: 60°C 150V & CSA 60°C 300V
- c. Conductor Resistance : 142 OHMS/KM MAX. at 20°C
- D. Spark test : 2KV in air.

Approved	L. C. Y 0930	Checked	C. P. W 52P 30.05'	Designed	V. S. Jir 9/30
----------	--------------	---------	--------------------	----------	----------------

Product	Part NO.	Sheet NO.	Date
26AWG(7/0.16)x8K FLAT telephone cable	400W-8 (Silver Satin)	44271-B	2005-09-30



1. Product description:
Bare copper stranded , Polypropylene insulated , FLAT telephone cord .


Flame retardant PVC jacket.

2. Insulation:

Conductor	Insulation		Color code			
	MAT' L	O. D				
26AWG (7/0.16)	PP	0.95 ± 0.05mm	1. Brown	2. Blue	3. Yellow	4. Green
			5. Red	6. Black	7. Orange	8. Gray

3. Jacket:

MAT' L	O. D	Color
FR-PVC	(2.4 ± 0.15)x(9.0 ± 0.25)mm	Silver Grey

Marking	DYNACOM  AWM Exxxxx (FACTORY I. D. CODE) STYLE 20251 60°C 150V VW-1 CSA		
White	LLxxxxx AWM II A/B 60°C 300V FT1 26AWG		
Factore	UL E89980	CSA	LL64151
I. D. code	E89980-A		LL64151

4. Standards & Electrical & Physical properties

- a. UL & CSA style : UL AWM 20251 & CSA AWM II A/B
 b. Temperature & Voltage rating: 60°C 150V & CSA 60°C 300V
 c. Conductor Resistance : 142 OHMS/KM MAX. at 20°C
 D . Spark test : 2KV in air.

Approved	L. C. Y. 9/30	Checked	C. P. W. 5/27/30.05	Designed	X. X. Chai 9/30
----------	---------------	---------	---------------------	----------	-----------------