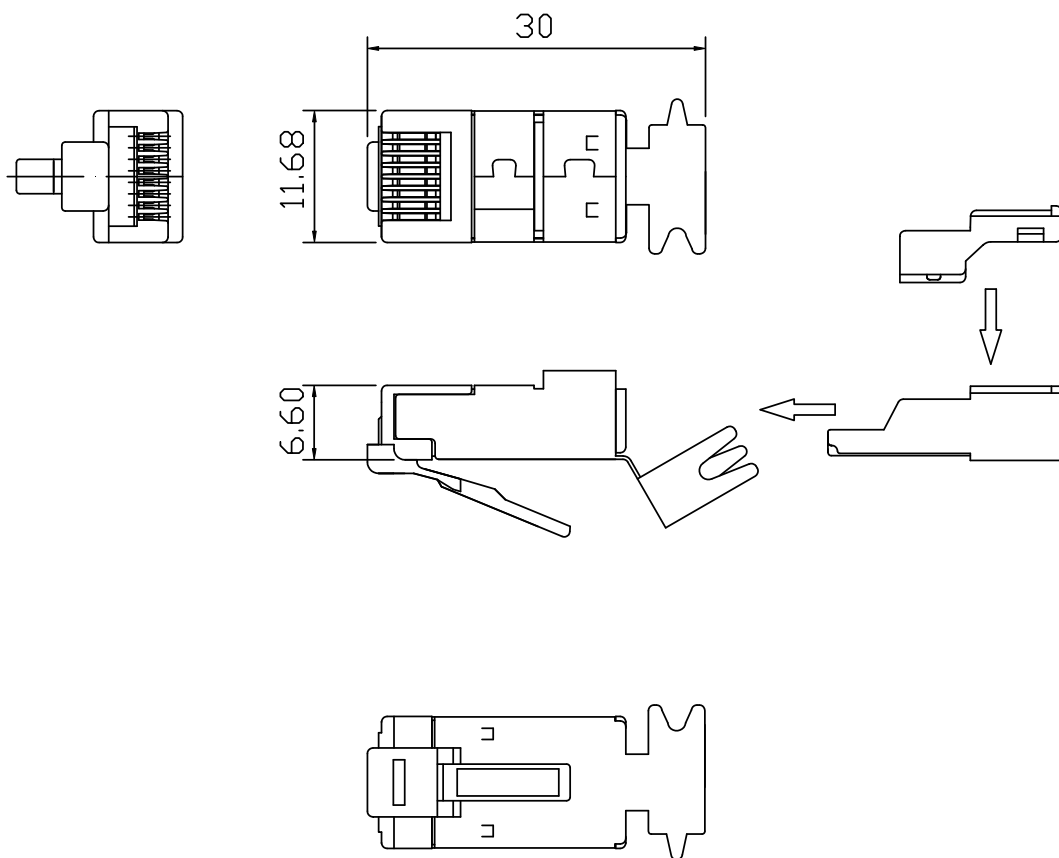


THE INFORMATION CONTAINED HEREON IS PROPRIETARY AND CONFIDENTIAL TO DYNACOM CORPORATION. AND SHALL NOT BE USED OR DISCLOSED, IN WHOLE OR IN PART WITHOUT FIRST OBTAINING THE WRITTEN PERMISSION OF DYNACOM CORPORATION. SPECIFICATIONS SUBJECT TO CHANGE WITHOUT NOTICE.

ZONE	REV.	DESCRIPTION	DATE	APPV.
-	A	INITIAL RELEASE	8/18/2011	E.A.
-	B			
-	C			
-	D			



ELECTRICAL

Electrical Insulation Resistance : 500 MΩ min. @ 100V d.c
 Dielectric Withstanding Voltage : 1000V d.c. or a.c.
 Peak Contact to Contact @ 60Hz for 1 minute
 Contact Resistance : 20 mΩ Max.

MECHANICAL

Retention : 50N (11 lbf) for 60s±5s
 Insertion / Extraction Life : 750 Cycles Minimum.
 Tensile Strength: >= 20N per Wire
 IDC WIRE GAUGE: 26 ~ 22 AWG
 Outer diameter of wire insulation cannot exceed 1.0mm

PHYSICAL

1.Housing: PC, UL 94V-0.
 2.Contact: Phosphor Bronze Alloy Plated With 50 micro-inch of Gold Over 70~100 micro-inch of Nickel.
 3.Shield: Brass alloy plated with 30~60 micro-inch Nickel.



e-mail...sales@dynacomcorp.com
 www.dynacomcorp.com

DIMENSIONS: MM

NEXT ASSY: -

DRAWN: E.A.

CHECKED: A.L.

TITLE

PLUG CAT6 SHIELDED W/EXTERNAL GROUND

DWG. NO.

400PRS-C6S

SHEET 1 OF 1

REV.

A