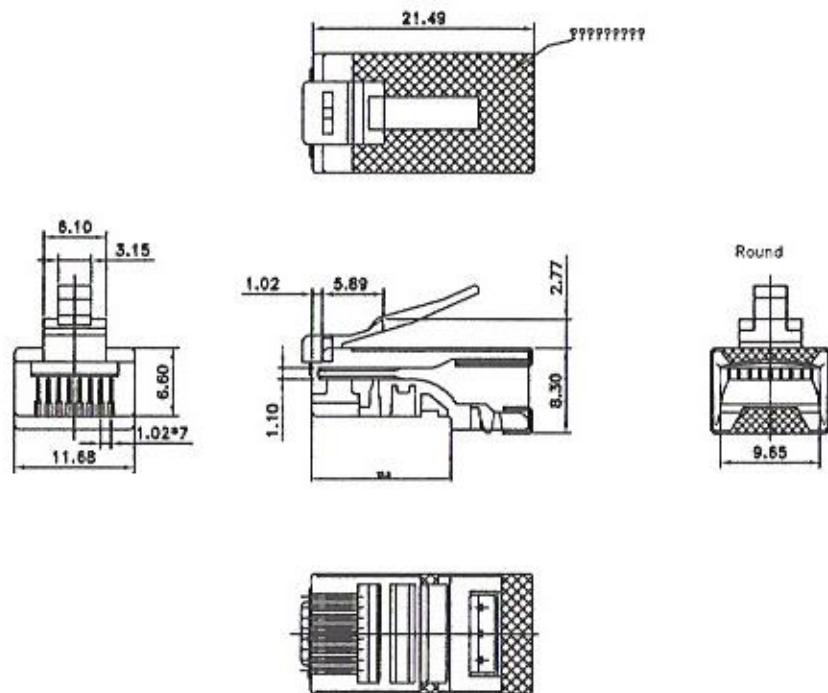


1 THE INFORMATION CONTAINED HEREON IS PROPRIETARY AND CONFIDENTIAL TO DYNACOM CORPORATION. AND SHALL NOT BE USED OR DISCLOSED, IN WHOLE OR IN PART WITHOUT FIRST OBTAINING THE WRITTEN PERMISSION OF DYNACOM CORPORATION. SPECIFICATIONS SUBJECT TO CHANGE WITHOUT NOTICE.

ZONE	REV	DESCRIPTION	DATE	APPV.
-	A	INITIAL RELEASE	02/27/2015	E.A.
-	B	CHANGED DISPLAY. 400PRS-C5E WAS 400PRS-5E.	03/03/2015	E.A.

3 SPECIFICATIONS

1. ELECTRICAL
 UL APPLICATIONS: 250 VOLTS AC MAX., AT 2 AMPS.
 DIELECTRIC WITHSTANDING VOLTAGE : 500 VOLTS AC.
 INSULATION RESISTANCE: 100 MΩ.
 TERMINATION: RESISTANCE 20m Ω MAX AFTER ENVIRONMENTAL TESTING.
2. MECHANICAL
 CABLE-TO-PLUG TENSILE STRENGTH: 20 POUNDS MIN.
 DURABILITY : 200 MATING CYCLES.
3. MATERIAL & FINISH
 HOUSING: POLYCARBONATE, UL94V-0 OR UL94V-2.
 COLOR: TRANSPARENT OR OTHER COLORS ARE AVAILABLE.
 CONTACT BLADE: COPPER ALLOY.
 CONDUCTOR : STRANDED & SOLID WIRE, 24AWG or 26 AWG.
 GOLD PLATING: 3u"~50u", AVAILABILITY.
 SHIELDED SHELL: COPPER ALLOY.



400PRS-C5E CONFIGURATION

BLADE:	E	EB	Y	YB	Z	A		
Drawing								
Mark			✓					
GOLD PLATING	3Mu"	3u"	6u"	15u"	30u"	50u"	CABLE TYPE	ROUND
Mark					✓	Mark	✓	

QTY: 100 PER BAG



e-mail.....sales@dynacomcorp.com
 www.dynacomcorp.com

TOLS. .X=+/- 0.030, .XX=+/- 0.010, .XXX=+/- .005, ANGLES=+/-0.5 DEG.

NEXT ASSY:	DRAWN: E.A. 02/27/2015	CHECKED: -
TITLE:	PLUG MODULAR, CAT5E SHIELDED	400PRS-C5E
		REV. B