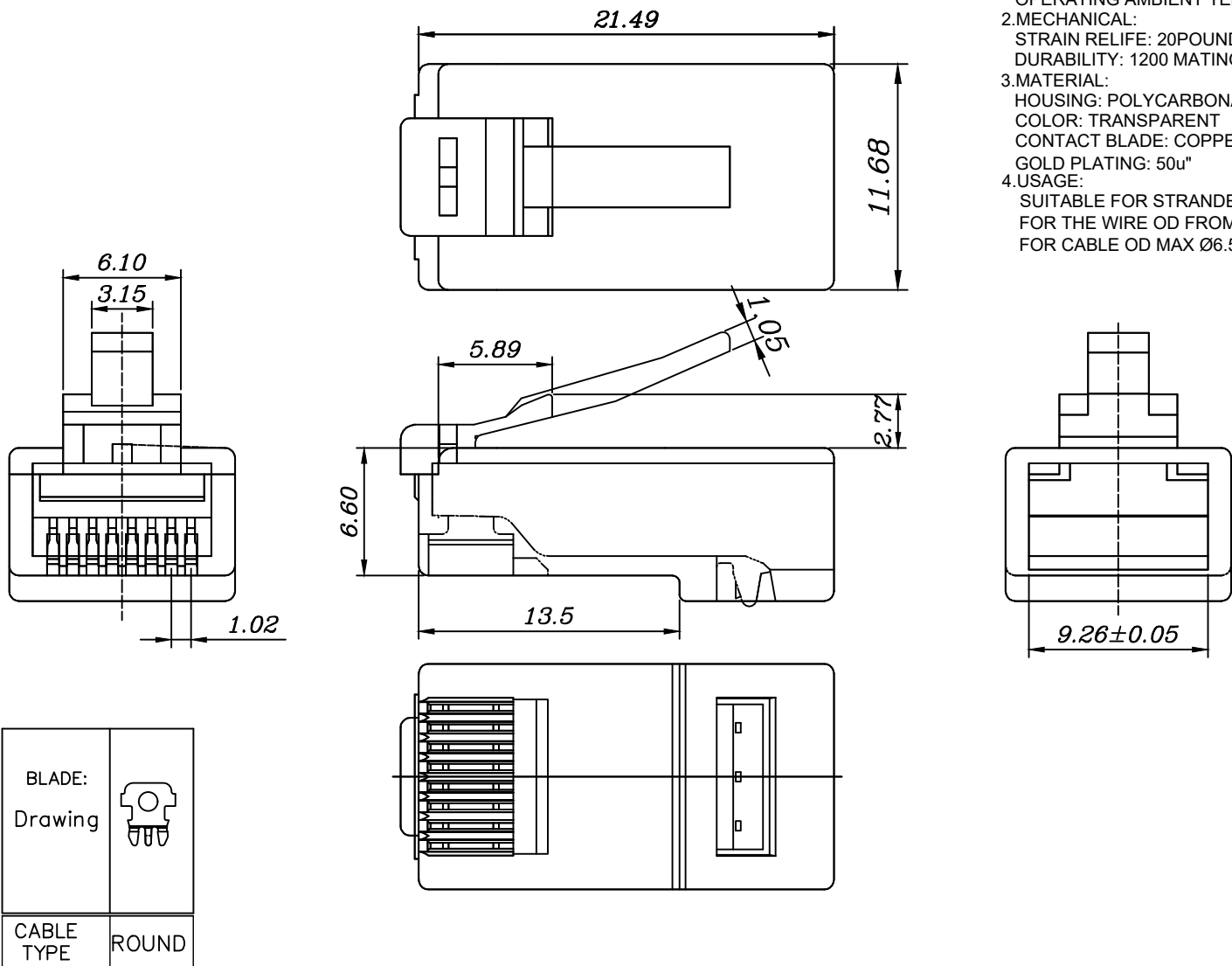


THE INFORMATION CONTAINED HEREON IS PROPRIETARY AND CONFIDENTIAL TO DYNACOM CORPORATION. AND SHALL NOT BE USED OR DISCLOSED, IN WHOLE OR IN PART WITHOUT FIRST OBTAINING THE WRITTEN PERMISSION OF DYNACOM CORPORATION. SPECIFICATIONS SUBJECT TO CHANGE WITHOUT NOTICE.

ZONE	REV.	DESCRIPTION	DATE	APPV.
-	A	INITIAL RELEASE	12/02/2019	E.A.

SPECIFICATIONS

- 1.ELECTRICAL:
 - UL APPLICATIONS: 250 VOLTS AC MAX. AT 2 AMPS.
 - DIELECTRIC WITHSTANDING VOLTAGE : 1000 VOLTS AC. 60 SEC.
 - INSULATION RESISTANCE: 500 MΩ.
 - CONTACT RESISTANCE: 20mΩ MAX.
 - OPERATING AMBIENT TEMPERATURE: -20°C ~ 75°C.
- 2.MECHANICAL:
 - STRAIN RELIFE: 20POUND MIN.
 - DURABILITY: 1200 MATING CYCLES.
- 3.MATERIAL:
 - HOUSING: POLYCARBONATE, UL94V-0
 - COLOR: TRANSPARENT
 - CONTACT BLADE: COPPER ALLOY.
 - GOLD PLATING: 50u"
- 4.USAGE:
 - SUITABLE FOR STRANDED & SOLID WIRE 23AWG ~ 26 AWG.
 - FOR THE WIRE OD FROM Ø0.96~Ø1.02.
 - FOR CABLE OD MAX Ø6.5.

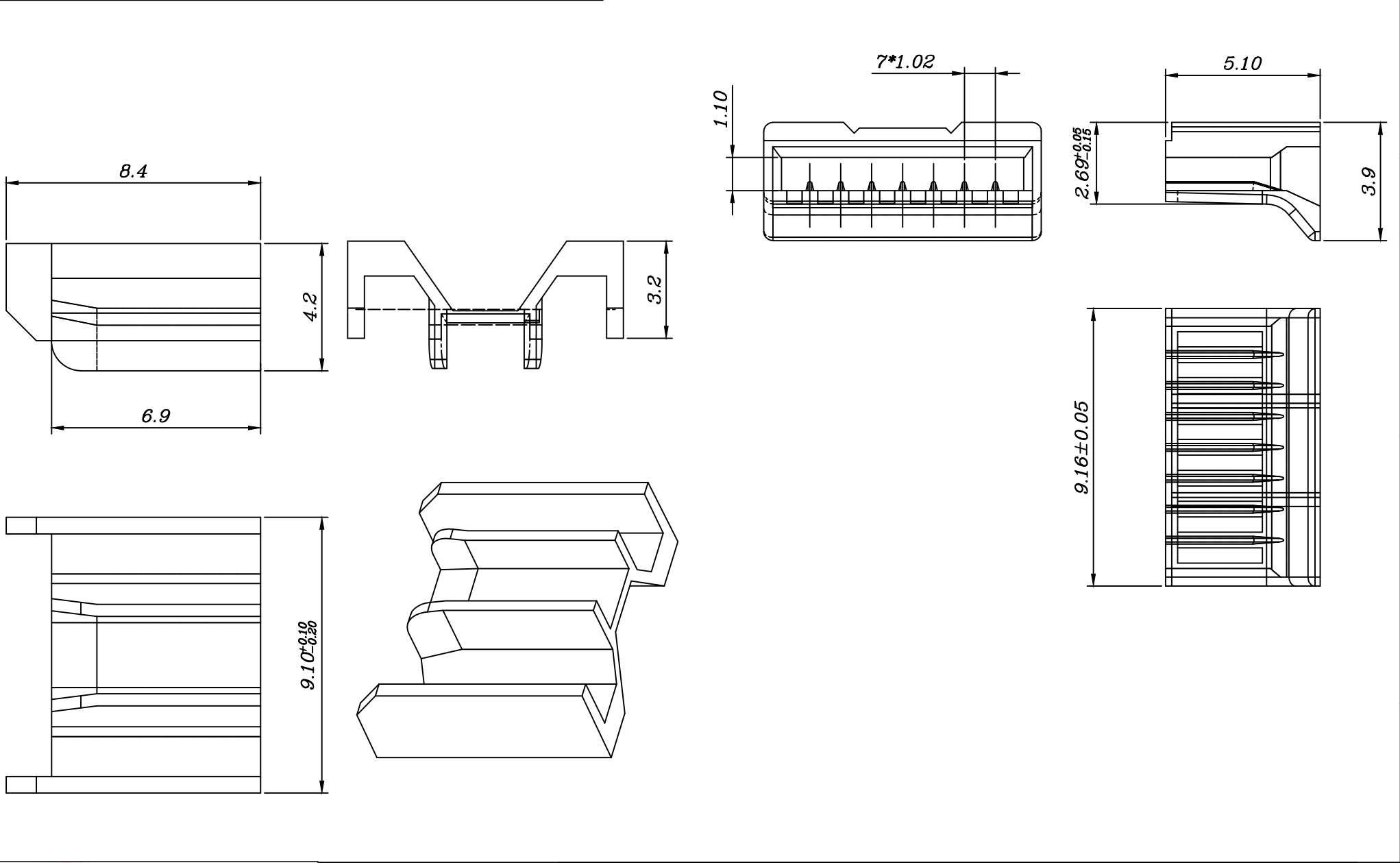


e-mail...sales@dynacomcorp.com
www.dynacomcorp.com

DIMENSION IN mm.			
NEXT ASSY: -	DRAWN: E.A. 12/02/2019	CHECKED: EA	
TITLE PLUG MODULAR CAT 6A		DWG. NO. 400PR-C6A	SHEET 1 OF 2 REV. A

THE INFORMATION CONTAINED HEREON IS PROPRIETARY AND CONFIDENTIAL TO DYNACOM CORPORATION. AND SHALL NOT BE USED OR DISCLOSED, IN WHOLE OR IN PART WITHOUT FIRST OBTAINING THE WRITTEN PERMISSION OF DYNACOM CORPORATION. SPECIFICATIONS SUBJECT TO CHANGE WITHOUT NOTICE.

ZONE	REV.	DESCRIPTION	DATE	APPV.
-	A	INITIAL RELEASE	12/02/2019	E.A.



e-mail...sales@dynacomcorp.com
www.dynacomcorp.com

DIMENSION IN mm.			
NEXT ASSY: -	DRAWN: E.A. 12/02/2019	CHECKED: EA	
TITLE	PLUG MODULAR CAT 6A	DWG. NO. 400PR-C6A	SHEET 2 OF 2
		REV. A	