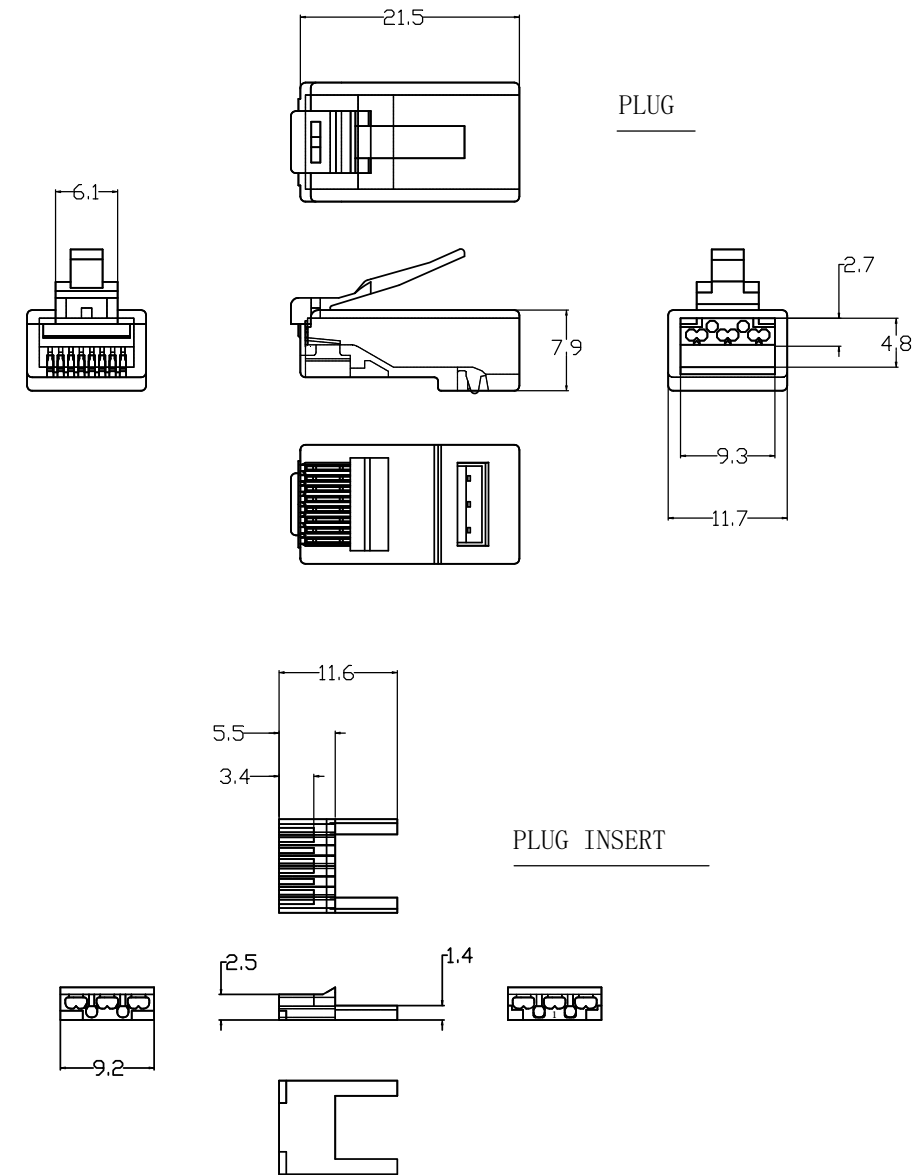


1 THE INFORMATION CONTAINED HEREON IS PROPRIETARY AND CONFIDENTIAL TO DYNACOM CORPORATION. AND SHALL NOT BE USED OR DISCLOSED, IN WHOLE OR IN PART WITHOUT FIRST OBTAINING THE WRITTEN PERMISSION OF DYNACOM CORPORATION.

ZONE	REV	DESCRIPTION	DATE	APPV.
-	A	INITIAL RELEASE	08/29/2012	E.A.



SPECIFICATIONS

- ELECTRICAL**
 UL APPLICATIONS: 250 VOLTS AC MAX., AT 2 AMPS.
 DIELECTRIC WITHSTANDING VOLTAGE : 500 VOLTS AC.
 INSULATION RESISTANCE: 100 MΩ.
 TERMINATION: RESISTANCE 20Ω MAX AFTER ENVIRONMENTAL TESTING.
- MECHANICAL**
 CABLE-TO-PLUG TENSILE STRENGTH: 20 POUNDS MIN.
 DURABILITY : 200 MATING CYCLES.
- MATERIAL & FINISH**
 HOUSING: POLYCARBONATE, UL94V-0
 COLOR: TRANSPARENT OR OTHER COLORS ARE AVAILABLE.
 CONTACT BLADE: COPPER ALLOY.
 CONDUCTOR : STRANDED & SOLID WIRE, 24AWG or 26 AWG.
 GOLD PLATING: 50u"

400PR-C6 CONFIGURATION

BLADE:	Z	ZL
Drawing		
Mark	✓	✓
GOLD PLATING	50u"	
Mark	✓	

CABLE TYPE	ROUND
Mark	✓

QTY: 100 PER BAG



e-mail.....sales@dynacomcorp.com
 Hayward, California
 www.dynacomcorp.com

TOLS. .X=+/- 0.030, .XX=+/- 0.010, .XXX=+/- .005, ANGLES=+/-0.5 DEG.

NEXT ASSY:	DRAWN: E.A. 08/29/2012	CHECKED: -
TITLE: PLUG MODULAR, CAT6	400PR-C6	REV. A