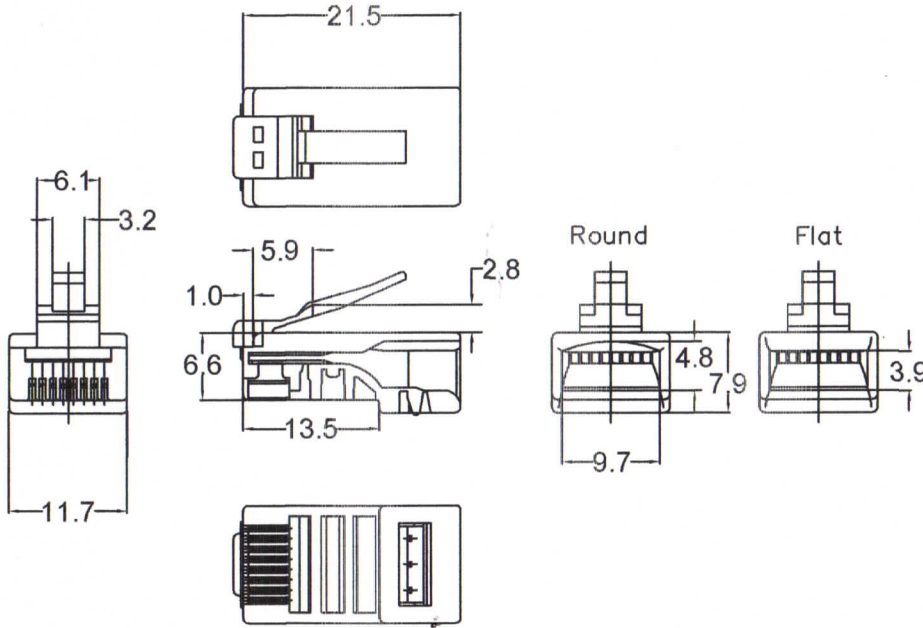


1 THE INFORMATION CONTAINED HEREON IS PROPRIETARY AND CONFIDENTIAL TO DYNACOM CORPORATION. AND SHALL NOT BE USED OR DISCLOSED, IN WHOLE OR IN PART WITHOUT FIRST OBTAINING THE WRITTEN PERMISSION OF DYNACOM CORPORATION.

ZONE	REV	DESCRIPTION	DATE	APPV.
-	A	INITIAL RELEASE	12/16/2013	E.A.

3 SPECIFICATIONS

1. ELECTRICAL
 UL APPLICATIONS: 250 VOLTS AC MAX., AT 2 AMPS.
 DIELECTRIC WITHSTANDING VOLTAGE : 500 VOLTS AC.
 INSULATION RESISTANCE: 100 M Ω
 TERMINATION: RESISTANCE 20m Ω MAX AFTER ENVIRONMENTAL TESTING.
2. MECHANICAL
 CABLE-TO-PLUG TENSILE STRENGTH: 20 POUNDS MIN.
 DURABILITY : 200 MATING CYCLES.
3. MATERIAL & FINISH
 HOUSING: POLYCARBONATE, UL94V-0 OR UL94V-2.
 COLOR: TRANSPARENT OR OTHER COLORS ARE AVAILABLE.
 CONTACT BLADE: COPPER ALLOY.
 CONDUCTOR : STRANDED & SOLID WIRE, 24AWG or 26 AWG.
 (it can be used for wire OD from 0.96~1.02 dia)
 GOLD PLATING: 3u"~50u", AVAILABILITY.



ITEM: 400PR-C5E

BLADE:	E	EB	Y	YB	Z	A	AE	AB	
Drawing									
Mark			✓						
GOLD PLATING	3Mu"	3u"	6u"	15u"	30u"	50u"	CABLE TYPE	ROUND	FLAT
Mark						✓	Mark	✓	

QTY: 100 PER BAG



e-mail.....sales@dynacomcorp.com
 www.dynacomcorp.com

DIMENSIONS: Inches

NEXT ASSY:	DRAWN: E.A. 12/16/2013	CHECKED: -
TITLE:	PLUG MODULAR, CAT5E	400PR-C5E
		REV. A