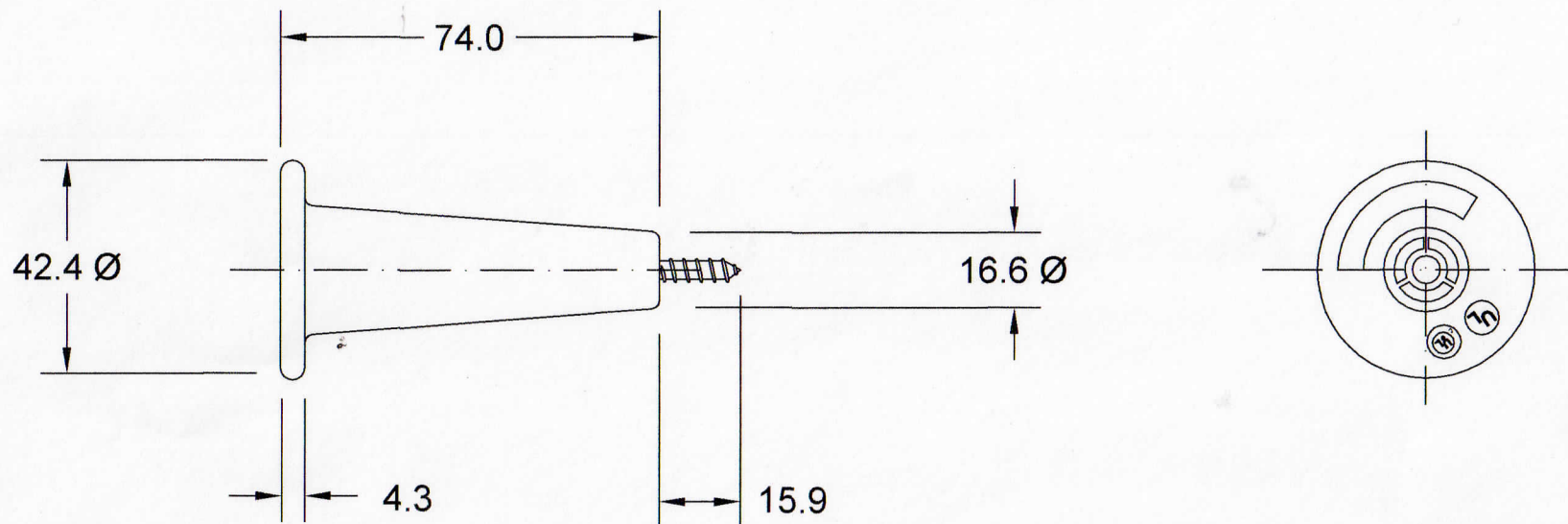


THE INFORMATION CONTAINED HEREON IS PROPRIETARY AND CONFIDENTIAL TO DYNACOM CORPORATION. AND SHALL NOT BE USED OR DISCLOSED, IN WHOLE OR IN PART WITHOUT FIRST OBTAINING THE WRITTEN PERMISSION OF DYNACOM CORPORATION.

ZONE	REV	DESCRIPTION	DATE	APPV.
-	A	INITIAL RELEASE	03/22/2012	E.A.
-	B	REVISED DRAWING FORMAT	06/06/2013	E.A.

NOTES:

- Wire Spool Material: Poly Carbonate, UL94V-0.  
with Metal Screw for wood.



e-mail.....sales@dynacomcorp.com

web .....www.dynacomcorp.com

DIMENSIONS ARE SHOWN IN MILIMETERS.

NEXT ASSY: -

DRAWN: E.A. 03/22/2012

CHECKED: -

Wire Spool with Screw

DWG. NO.

20B

REV.

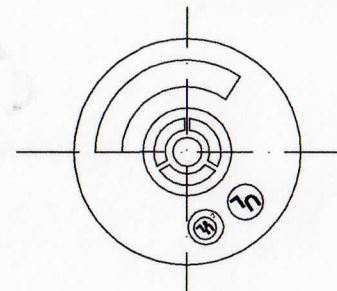
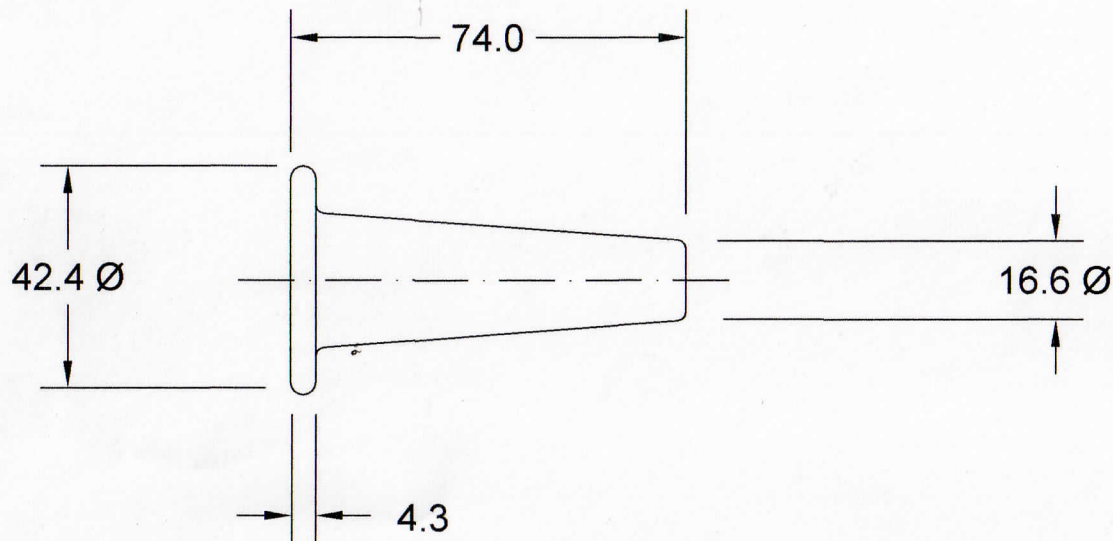
B

THE INFORMATION CONTAINED HEREON IS PROPRIETARY AND CONFIDENTIAL TO DYNACOM CORPORATION. AND SHALL NOT BE USED OR DISCLOSED, IN WHOLE OR IN PART WITHOUT FIRST OBTAINING THE WRITTEN PERMISSION OF DYNACOM CORPORATION.

ZONE	REV	DESCRIPTION	DATE	APPV.
-	A	INITIAL RELEASE	06/06/2013	E.A.

NOTES:

1. Wire Spool Material: Poly Carbonate, UL94V-0.



e-mail.....sales@dynacomcorp.com  
 web .....www.dynacomcorp.com

DIMENSIONS ARE SHOWN IN MILIMETERS.			
NEXT ASSY: -	DRAWN: E.A. 06/06/2013	CHECKED: -	
<b>Wire Spool (without screw)</b>		DWG. NO. <b>20A</b>	REV. <b>A</b>