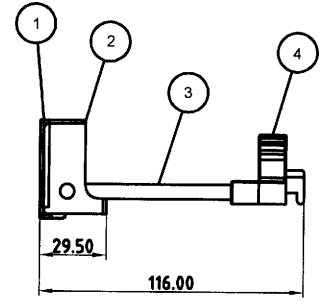
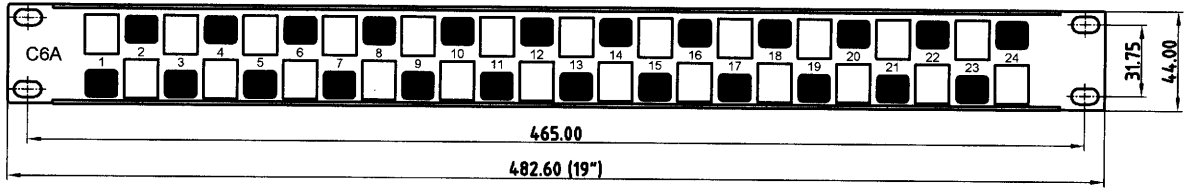
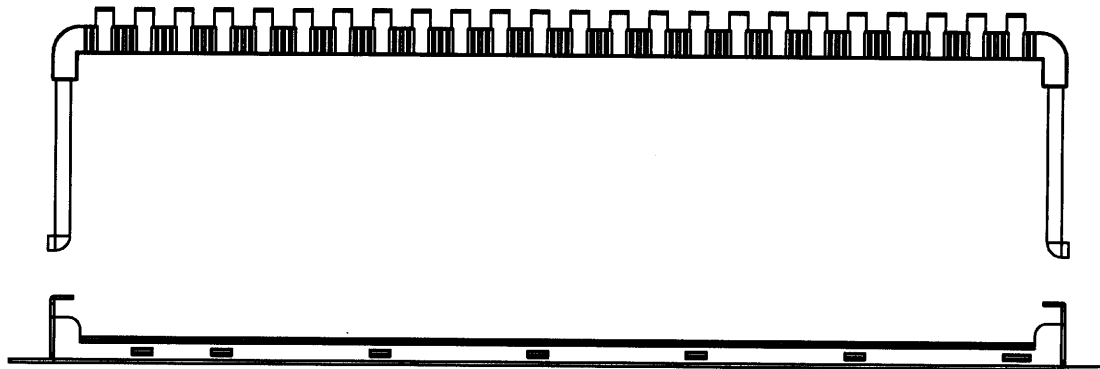
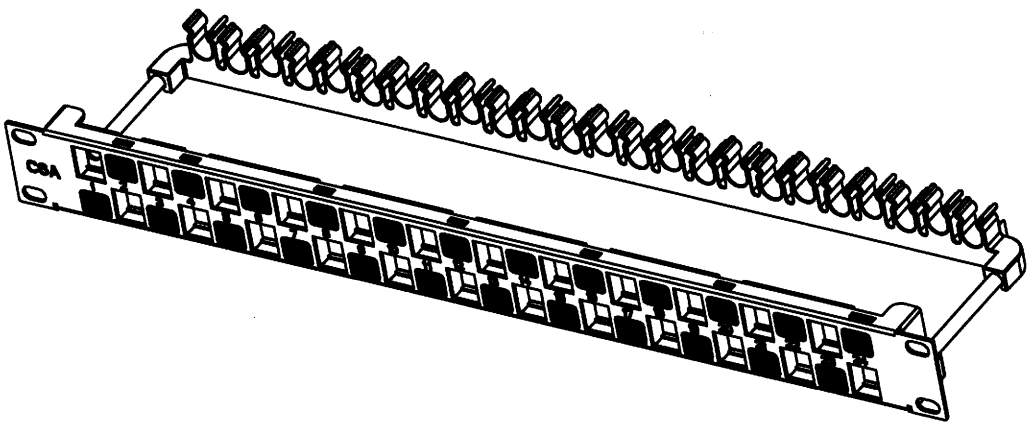


THE INFORMATION CONTAINED HEREON IS PROPRIETARY AND CONFIDENTIAL TO DYNACOM CORPORATION. AND SHALL NOT BE USED OR DISCLOSED, IN WHOLE OR IN PART WITHOUT FIRST OBTAINING THE WRITTEN PERMISSION OF DYNACOM CORPORATION.

ZONE	REV	DESCRIPTION	DATE	APPV.
-	A	INITIAL RELEASE	04/23/10	E.A.



ITEM	DESCRIPTION	QTY.
1	FRONT PANEL PLATE	1
2	REAR PANEL PLATE	1
3	WIRE MANAGER BAR	1
4	WIRE MANAGER HOLDER	1



e-mail.....sales@dynacomcorp.com
Hayward, CA 94544

TOLS:			
NEXT ASSY: -	DRAWN: E.A. 04/23/10	CHECKED: E.L.	
TITLE: Cat6A UTP Snap-in Patch Panel, 24 port		DWG. NO. 2022-24A	REV. A