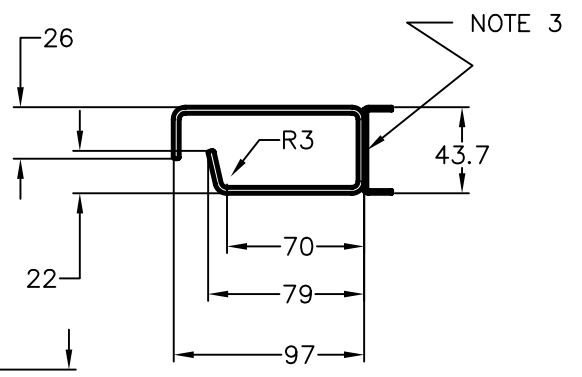
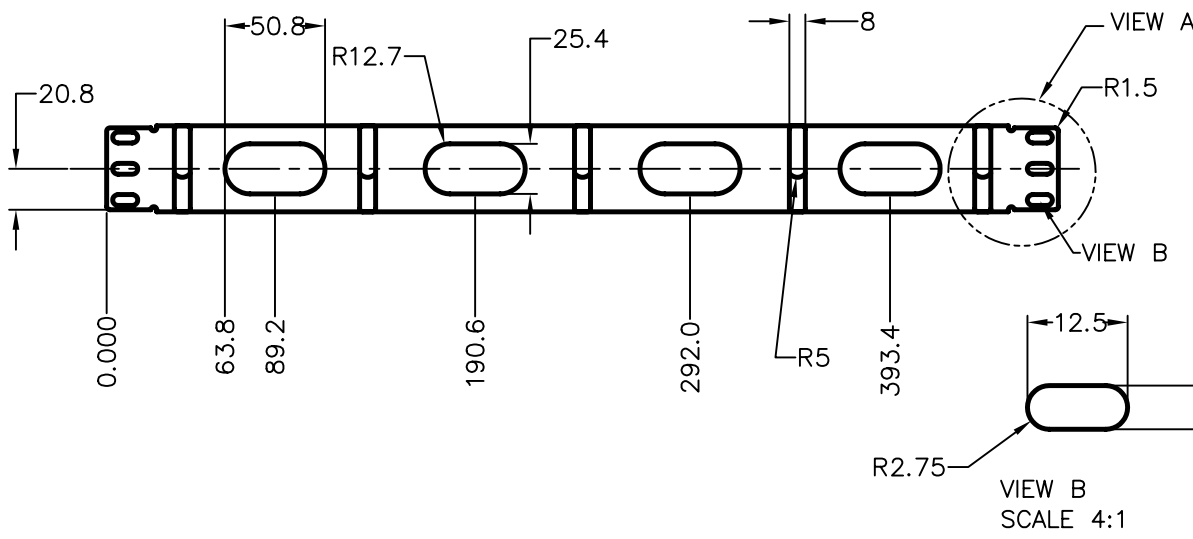
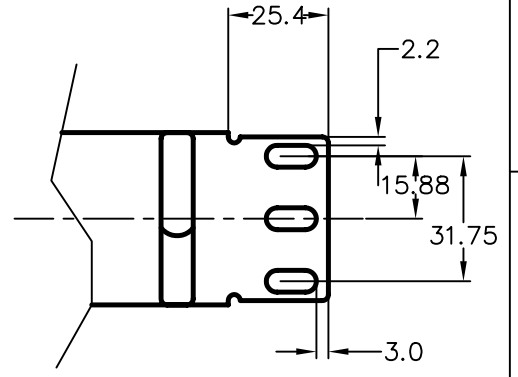
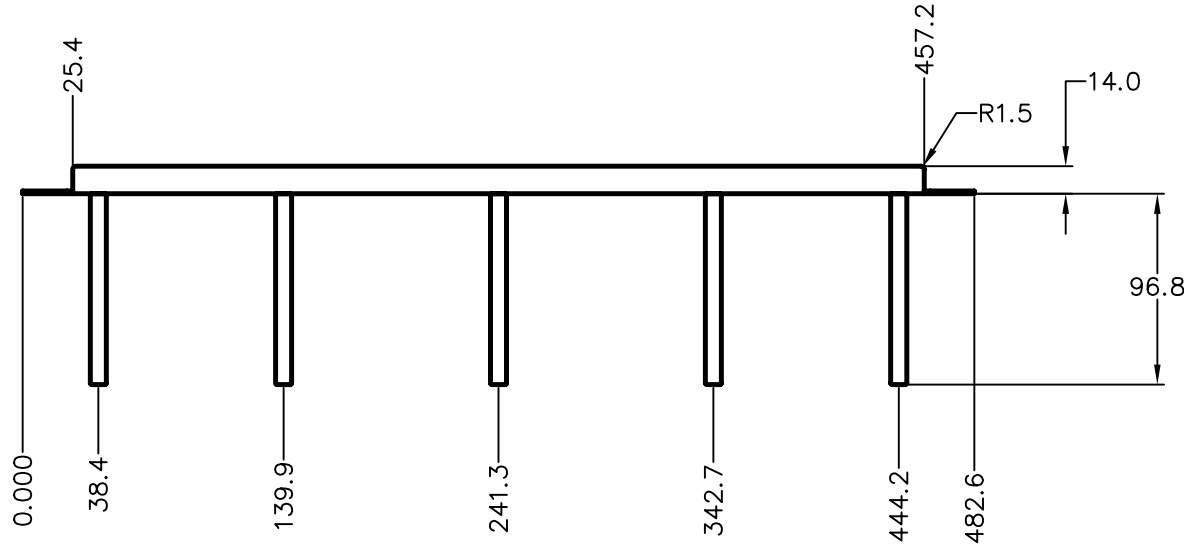


NOTES:

1. POWDERCOAT-BLACK CRINKLE FINISH.
2. MATERIAL : 1.4MM COLD ROLLED STEEL FOR BASE & 3.1MM FOR STRAPS.
3. PLUG WELD EACH STRAP SECURELY 2 PLACES FROM THIS SIDE.

ZONE	REV.	DESCRIPTION	DATE	APPV.
-	A	INITIAL RELEASE	11/29/99	E.A.
				E.A.



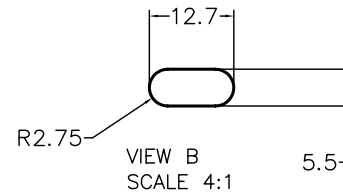
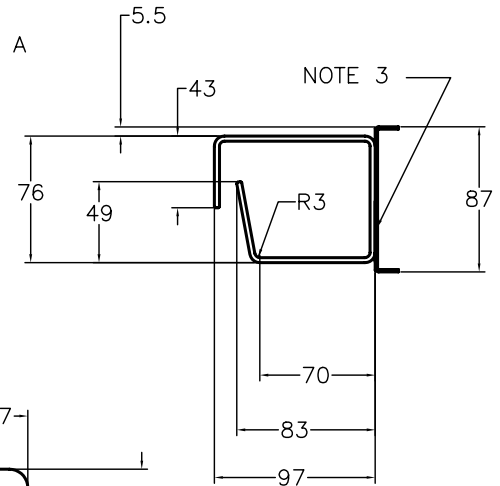
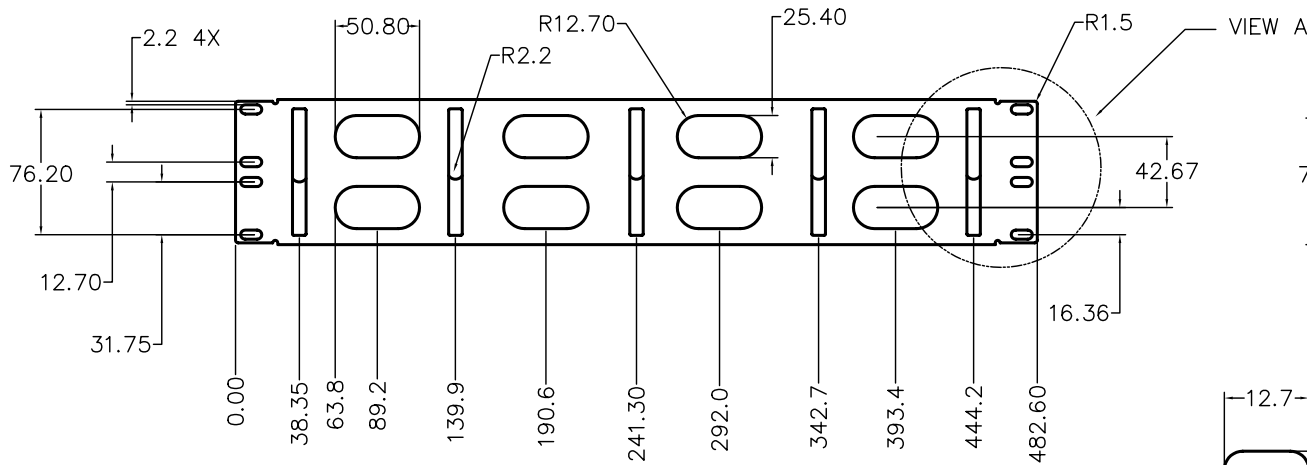
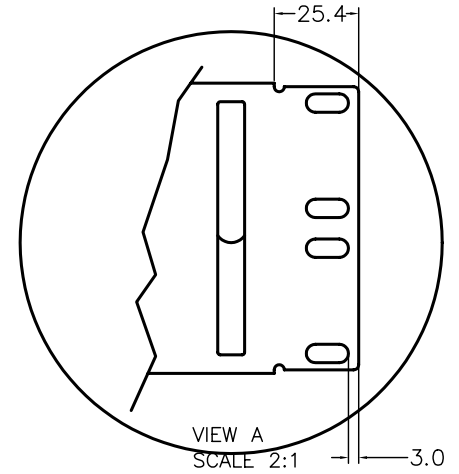
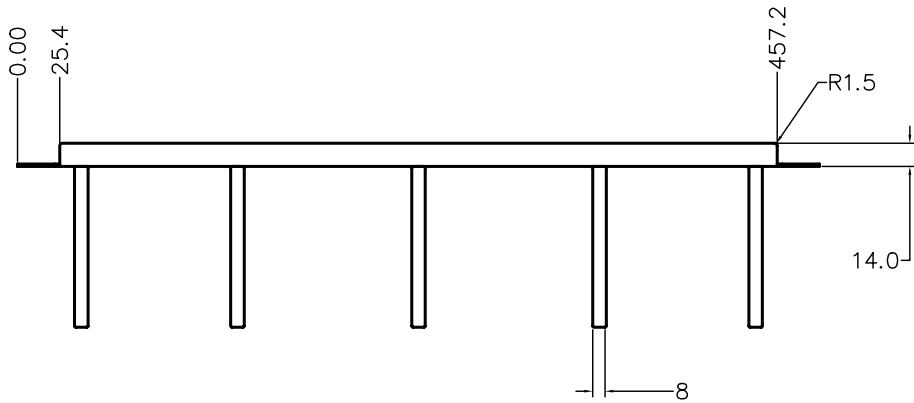
e-mail.....sales@dynacomcorp.com
 31072 San Antonio Street
 Hayward, CA 94544

TOLS: X = +/- 1.0MM, 0.X = +/- 0.5 MM, 0.XX = +/- 0.2 MM			
NEXT ASSY: -	DRAWN: E.A. 11/29/99	CHECKED: Joe Tornello	
TITLE HORIZONTAL CABLE ORGANIZER-1U		DWG. NO. 2016-WMP1C	SHEET 1 OF 1 REV. A

NOTES:

1. POWDERCOAT—BLACK CRINKLE FINISH.
2. MATERIAL : 1.4MM COLD ROLLED STEEL FOR BASE & 3.1MM FOR STRAPS.
3. PLUG WELD EACH STRAP SECURELY 2 PLACES FROM THIS SIDE.

ZONE	REV.	DESCRIPTION	DATE	APPV.
-	A	INITIAL RELEASE	12/1/99	E.A.
				E.A.



sales@dynacomcorp.com

31082 San Antonio Street
Hayward, CA 94544

TOLS: X = +/- 1.0 MM, 0.X = +/- 0.5MM, 0.XX = +/- 0.2MM

NEXT ASSY: - DRAWN: E.A. 12/1/99 CHECKED: Joe Tornello

TITLE
HORIZONTAL CABLE ORGANIZER-2U

DWG. NO. SHEET 1 OF 1
2016-WMP2C

REV.
A