

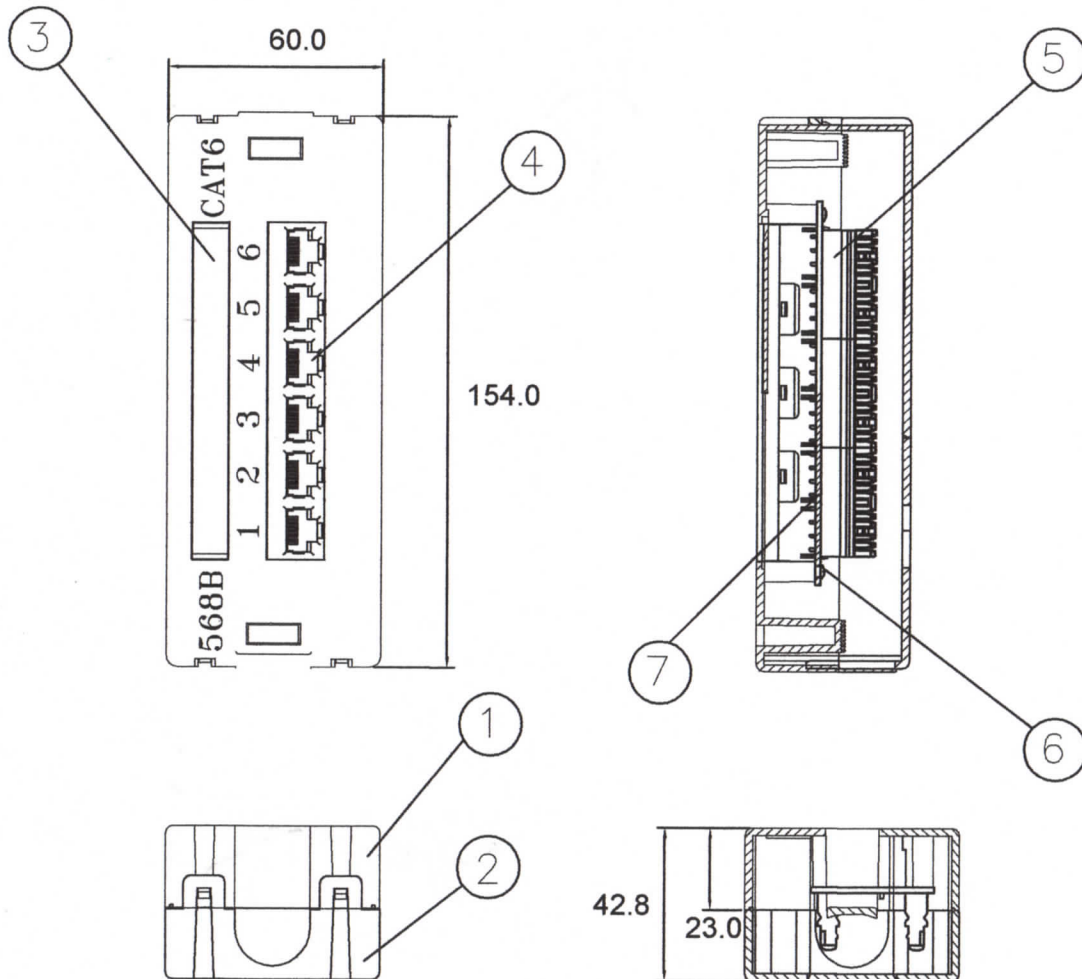
THE INFORMATION CONTAINED HEREON IS PROPRIETARY AND CONFIDENTIAL TO DYNACOM CORPORATION. AND SHALL NOT BE USED OR DISCLOSED, IN WHOLE OR IN PART WITHOUT FIRST OBTAINING THE WRITTEN PERMISSION OF DYNACOM CORPORATION.

ZONE	REV	DESCRIPTION	DATE	APPV.
-	A	INITIAL RELEASE	05/29/2012	E.A.

INCLUDED with PATCHBOX

- 1. 6 Label ID Strip. Qty. 1
- 2. Tie Wrap. Qty: 2
- 3. Hardware: Mounting Screws-Self Tap, Combo Head. Qty. 2
- 4. Adhesive Pad, Double Sided. Qty. 2

PARTS NAME		QUANTITY
1	COVER	1
2	BASE	1
3	BEZEL	1
4	6 PORT JACK	1
5	IDC SEAT	6
6	SCREW	4
7	PCB	1



e-mail.....sales@dynacomcorp.com
 webwww.dynacomcorp.com

DIMENSIONS ARE SHOWN IN MILIMETERS.

NEXT ASSY: -	DRAWN: E.A. 05/29/2012	CHECKED: -
6-Port, Cat6 Patch Box		DWG. NO. 2013-06C6
		REV. A