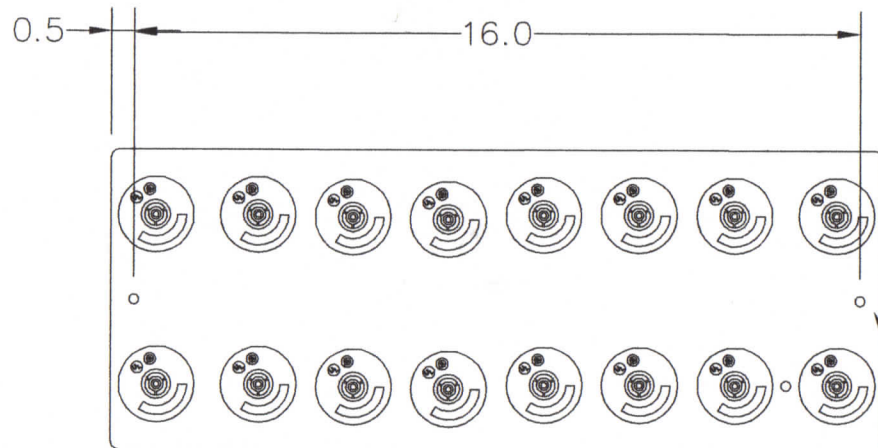
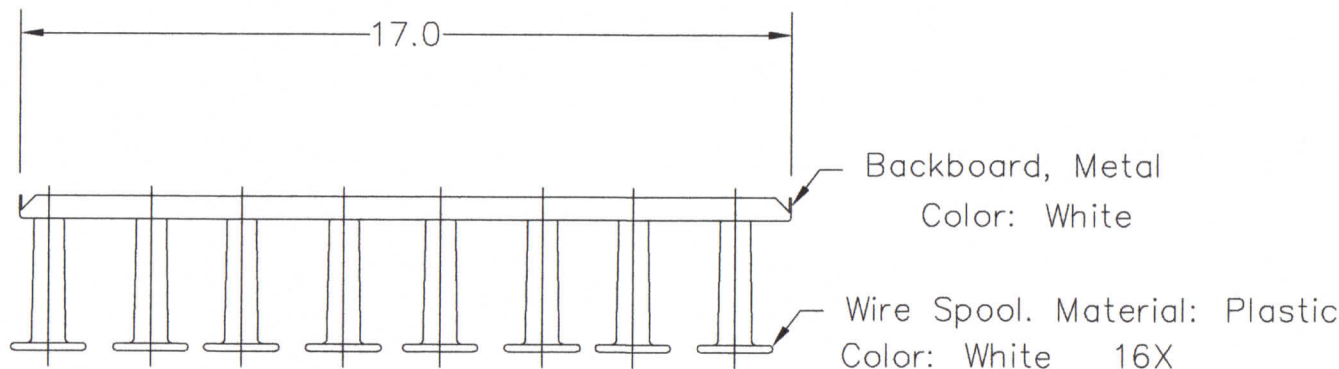
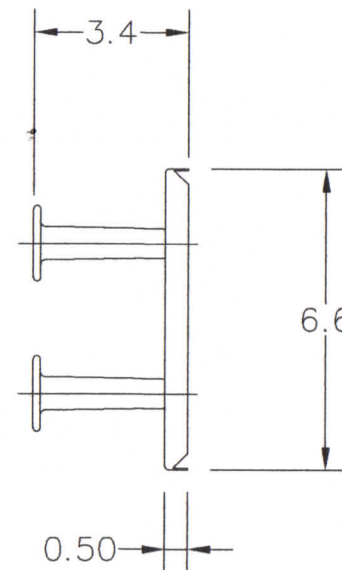


THE INFORMATION CONTAINED HEREON IS PROPRIETARY AND CONFIDENTIAL TO DYNACOM CORPORATION. AND SHALL NOT BE USED OR DISCLOSED, IN WHOLE OR IN PART WITHOUT FIRST OBTAINING THE WRITTEN PERMISSION OF DYNACOM CORPORATION.

ZONE	REV	DESCRIPTION	DATE	APPV.
-	A	INITIAL RELEASE	10/03/2013	E.A.



∅0.22 Mounting Holes, 2X



DIMENSIONS ARE SHOWN IN INCHES.



e-mail.....sales@dynacomcorp.com
webwww.dynacomcorp.com

NEXT ASSY: -	DRAWN: E.A. 10/03/2013	CHECKED: -
2x8 Wire Spool Board, Metal		DWG. NO. 187B1M
		REV. A

1

2

3

4