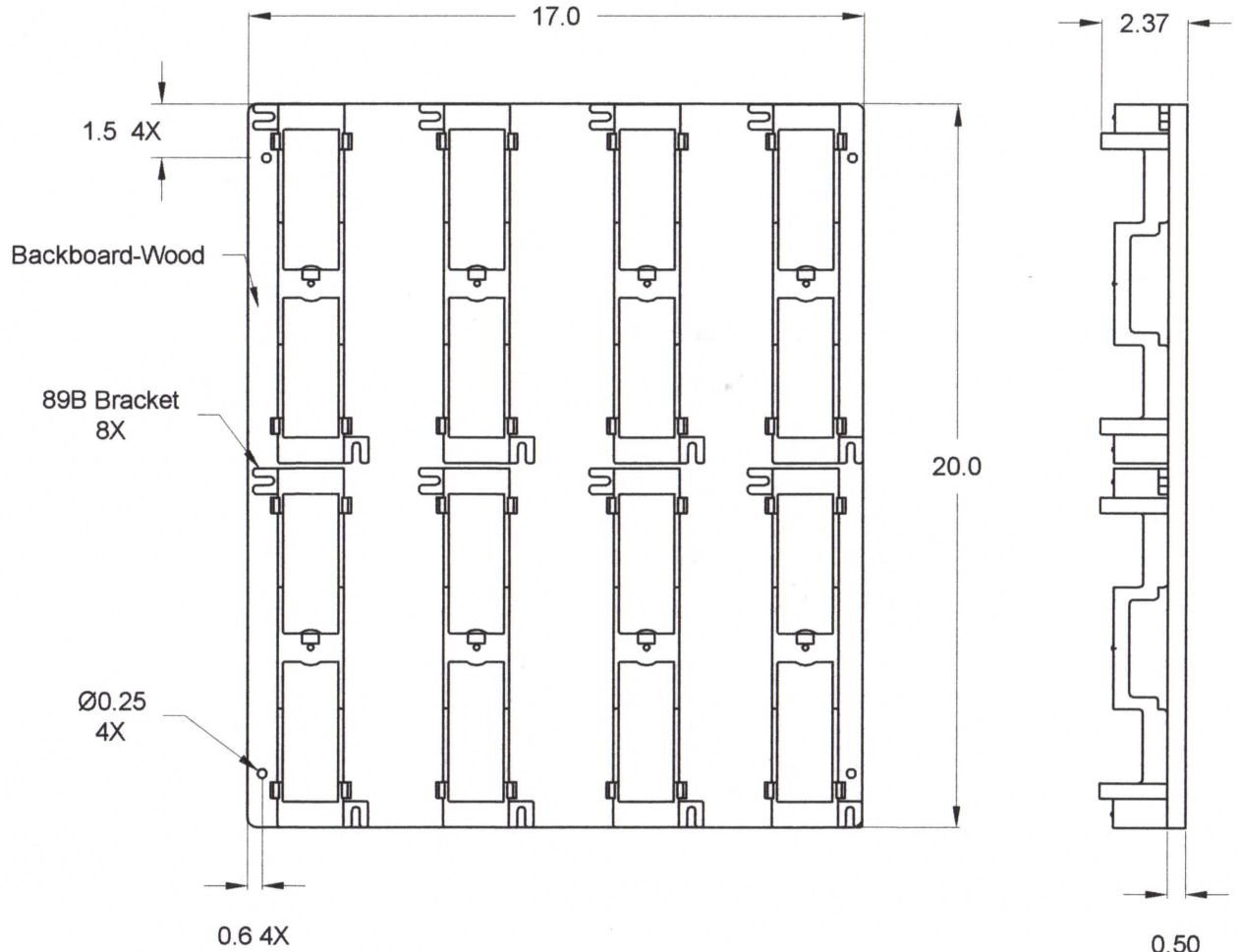


1 THE INFORMATION CONTAINED HEREON IS PROPRIETARY AND CONFIDENTIAL TO DYNACOM CORPORATION. AND SHALL NOT BE USED OR DISCLOSED, IN WHOLE OR IN PART WITHOUT FIRST OBTAINING THE WRITTEN PERMISSION OF DYNACOM CORPORATION.

ZONE	REV	DESCRIPTION	DATE	APPV.
-	A	INITIAL RELEASE	04/24/2014	E.A.



Part Number	Description	Color
183B1W	Backboard, Full (2x4), Wood	Blue
183B2W	Backboard, Full (2x4), Wood	Green
183B3W	Backboard, Full (2x4), Wood	Red
183B4W	Backboard, Full (2x4), Wood	Purple
183B5W	Backboard, Full (2x4), Wood	Yellow
183B6W	Backboard, Full (2x4), Wood	Orange
183B8W	Backboard, Full (2x4), Wood	White



e-mail.....sales@dynacomcorp.com

webwww.dynacomcorp.com

DIMENSIONS ARE SHOWN IN MILLIMETERS.

NEXT ASSY: -	DRAWN: E.A. 04/24/2014	CHECKED: -
Backboard, Full (2x4), Wood		DWG. NO. 183BXW
		REV. A