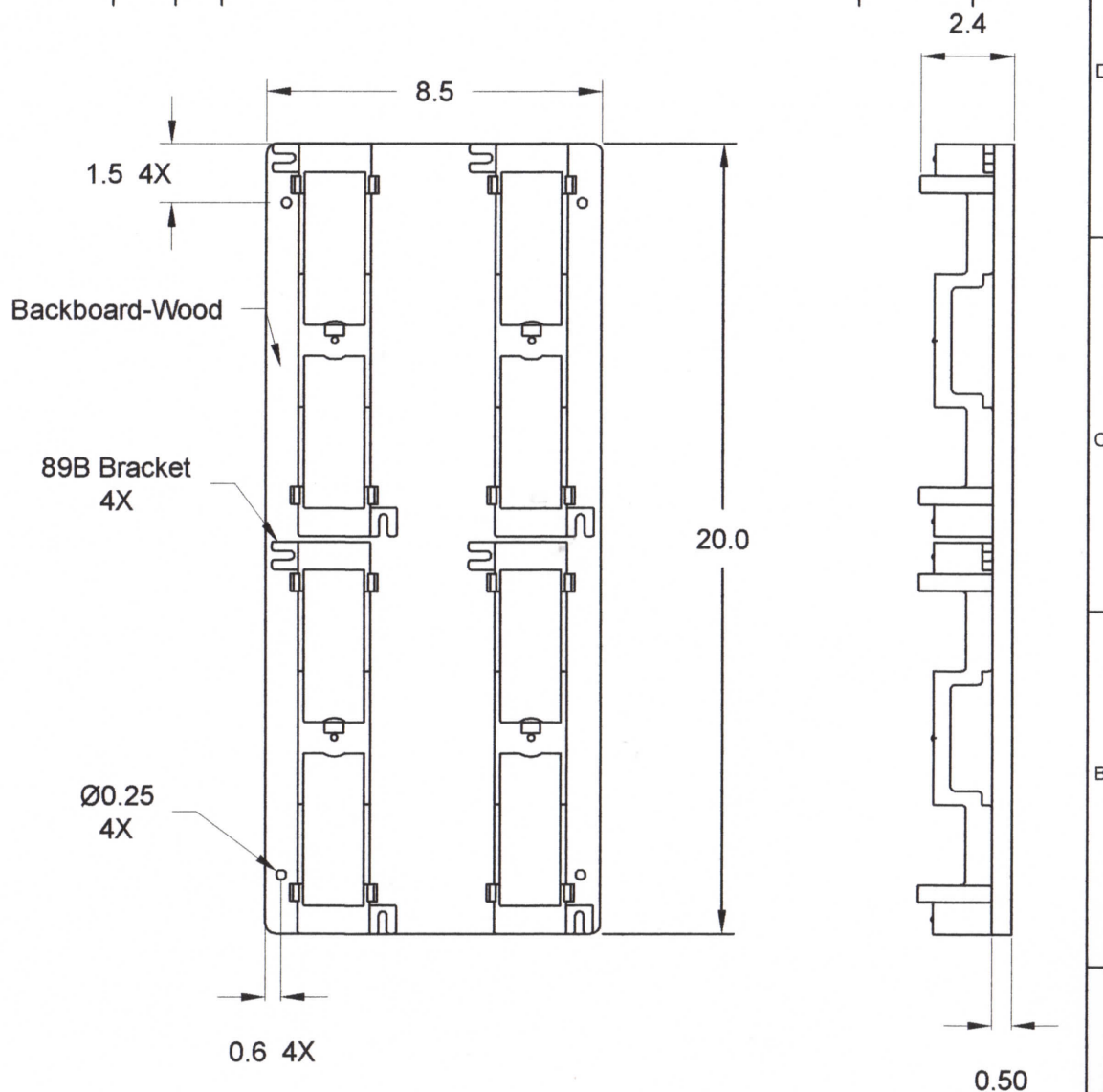


THE INFORMATION CONTAINED HEREON IS PROPRIETARY AND CONFIDENTIAL TO DYNACOM CORPORATION. AND SHALL NOT BE USED OR DISCLOSED, IN WHOLE OR IN PART WITHOUT FIRST OBTAINING THE WRITTEN PERMISSION OF DYNACOM CORPORATION.

ZONE	REV	DESCRIPTION	DATE	APPV.
-	A	INITIAL RELEASE	04/24/2014	E.A.



Part Number	Description	Color
183A1W	Backboard, Half (2x2), Wood	Blue
183A2W	Backboard, Half (2x2), Wood	Green
183A3W	Backboard, Half (2x2), Wood	Red
183A4W	Backboard, Half (2x2), Wood	Purple
183A5W	Backboard, Half (2x2), Wood	Yellow
183A6W	Backboard, Half (2x2), Wood	Orange
183A8W	Backboard, Half (2x2), Wood	White



e-mail.....sales@dynacomcorp.com
 webwww.dynacomcorp.com

DIMENSIONS ARE SHOWN IN MILIMETERS.

NEXT ASSY: -	DRAWN: E.A. 04/24/2014	CHECKED: -
Backboard, Half (2x2), Wood	DWG. NO. 183AXW	REV. A