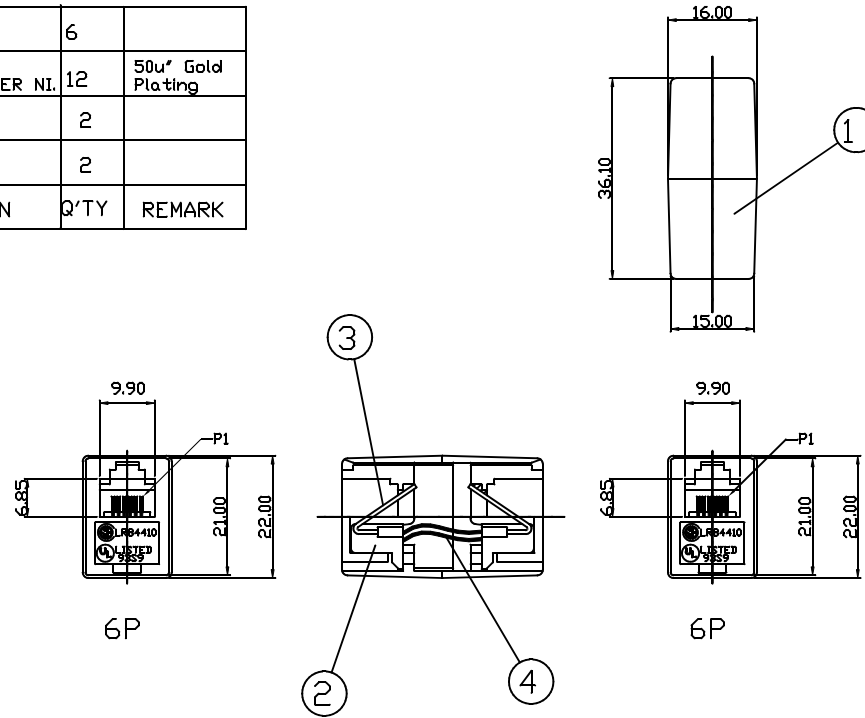


THE INFORMATION CONTAINED HEREON IS PROPRIETARY AND CONFIDENTIAL TO DYNACOM CORPORATION. AND SHALL NOT BE USED OR DISCLOSED, IN WHOLE OR IN PART WITHOUT FIRST OBTAINING THE WRITTEN PERMISSION OF DYNACOM CORPORATION. SPECIFICATIONS SUBJECT TO CHANGE WITHOUT NOTICE.

ZONE	REV.	DESCRIPTION	DATE	APPV.
-	A	INITIAL RELEASE	05/02/2002	E.A.
-	B			
-	C			
-	D			

4	LEAD WIRE	0.16mmx7STRAND 26AWG, UL1061	6	
3	SPRING WIRE	PHOSPHOR BRONZE GOLD PLATING OVER NI.	12	50u' Gold Plating
2	INSERT	ABS UL94V-0	2	
1	HOUSING	ABS UL94V-0	2	
ITEM	PART NAME	DESCRIPTION	Q'TY	REMARK



6P4C		6P6C PLUG VOICE	
		PIN 1	— PIN 6
		PIN 2	— PIN 5
		PIN 3	— PIN 4
		PIN 4	— PIN 3
		PIN 5	— PIN 2
		PIN 6	— PIN 1



e-mail...sales@dynacomcorp.com  
www.dynacomcorp.com

DIMENSIONS: MM

NEXT ASSY: -

DRAWN: E.A.

CHECKED: A.L.

TITLE

6P6C VOICE COUPLER

DWG. NO.

17159-6

SHEET 1 OF 1

REV.

A