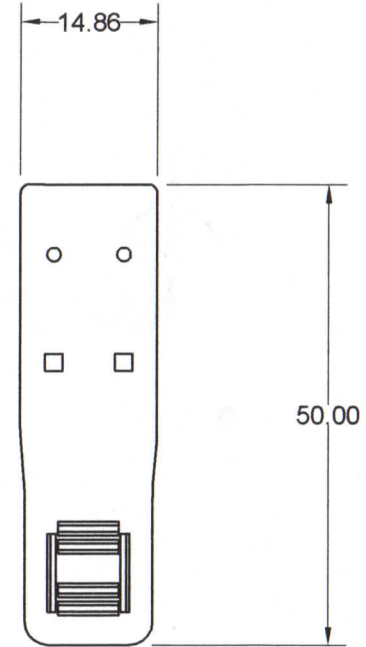
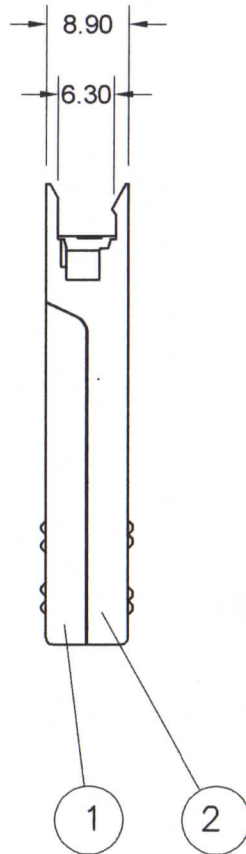
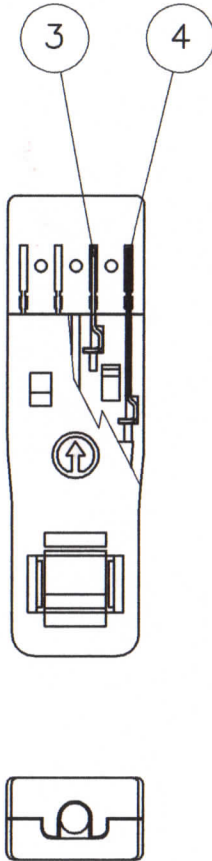


THE INFORMATION CONTAINED HEREON IS PROPRIETARY AND CONFIDENTIAL TO DYNACOM CORPORATION. AND SHALL NOT BE USED OR DISCLOSED, IN WHOLE OR IN PART WITHOUT FIRST OBTAINING THE WRITTEN PERMISSION OF DYNACOM CORPORATION.

| ZONE | REV | DESCRIPTION | DATE | APPV. |
|------|-----|-----------------|------------|-------|
| - | A | INITIAL RELEASE | 08-01-2011 | E.A. |



| NO | P/N | DESCRIPTION | MATERIAL | Q'TY |
|----|--------|----------------|----------|------|
| 1 | LP1378 | COVER | PC | 1 |
| 2 | LP1379 | BASE | PC | 1 |
| 3 | LD0232 | SHORT TERMINAL | P.B. | 2 |
| 4 | LD0233 | LONG TERMINAL | P.B. | 2 |



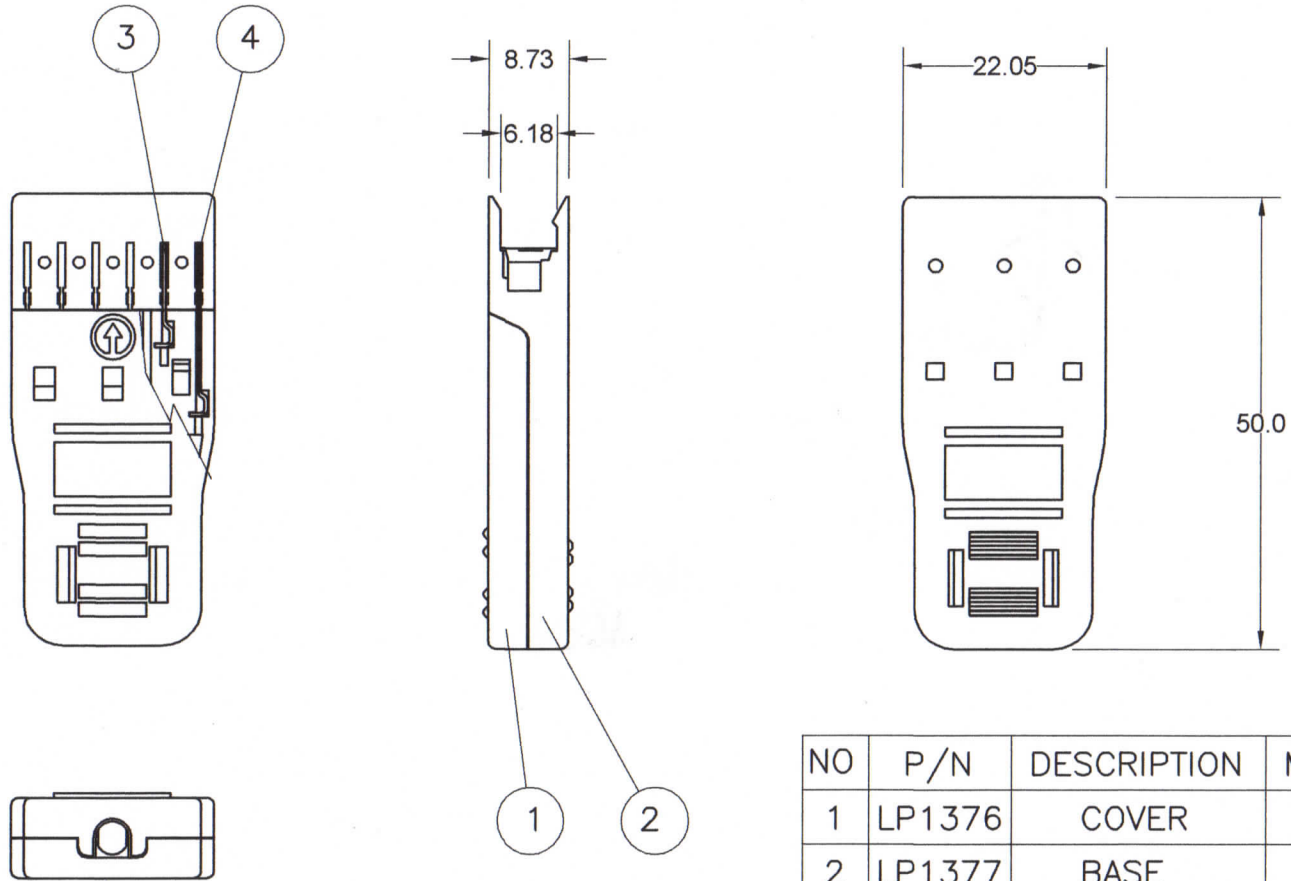
e-mail.....sales@dynacomcorp.com
 webwww.dynacomcorp.com

DIMENSIONS ARE SHOWN IN MILIMETERS.

| | | |
|---|------------------------|-----------------------------|
| NEXT ASSY: - | DRAWN: E.A. 08/01/2011 | CHECKED: - |
| 110 Style, Patch Cord Connector Cat5E 2 Pair | | DWG. NO. 110PCC-2 |
| | | REV. A |

THE INFORMATION CONTAINED HEREON IS PROPRIETARY AND CONFIDENTIAL TO DYNACOM CORPORATION. AND SHALL NOT BE USED OR DISCLOSED, IN WHOLE OR IN PART WITHOUT FIRST OBTAINING THE WRITTEN PERMISSION OF DYNACOM CORPORATION.

| ZONE | REV | DESCRIPTION | DATE | APPV. |
|------|-----|-----------------|------------|-------|
| - | A | INITIAL RELEASE | 08-01-2011 | E.A. |



| NO | P/N | DESCRIPTION | MATERIAL | Q'TY |
|----|--------|----------------|----------|------|
| 1 | LP1376 | COVER | PC | 1 |
| 2 | LP1377 | BASE | PC | 1 |
| 3 | LD0232 | SHORT TERMINAL | P.B. | 3 |
| 4 | LD0233 | LONG TERMINAL | P.B. | 3 |



e-mail.....sales@dynacomcorp.com
 webwww.dynacomcorp.com

DIMENSIONS ARE SHOWN IN MILIMETERS.

| | | |
|---|------------------------|----------------------|
| NEXT ASSY: - | DRAWN: E.A. 08/01/2011 | CHECKED: - |
| 110 Style, Patch Cord Connector Cat5E 3 Pair | | DWG. NO. 110PCC-3 |
| | | REV. A |

1

2

3

4