

THE INFORMATION CONTAINED HEREON IS PROPRIETARY AND CONFIDENTIAL TO DYNACOM CORPORATION, AND SHALL NOT BE USED OR DISCLOSED, IN WHOLE OR IN PART, WITHOUT FIRST OBTAINING THE WRITTEN PERMISSION FROM DYNACOM CORPORATION.

ZONE	REV.	DESCRIPTION	DATE	APPV.
-	A	RELEASED PROJECT ID; H2013F-DH.	02/19/05	E.A.
	B	ADDED PERFORMANCE TABLE.	12/20/05	E.A.

SPECIFICATIONS SUBJECT TO CHANGE WITHOUT NOTICE.

No:	Description	Qty.	Material
①	JACK HOUSING	1	ABS 94V0
②	IDC SEAT	1	PC 94V0
③	CONTACT(PIN1357&2468)	1	P.B.
④	INSERT-COVER	1	PBT+19%
⑤	INSERT-BASE	1	PBT+30%
⑥	PCB	1	FR4
⑦	IDC TERMINAL	8	P.B.
⑧	CAP	1	PC 94V0
⑨	WIRING PASTER	1	

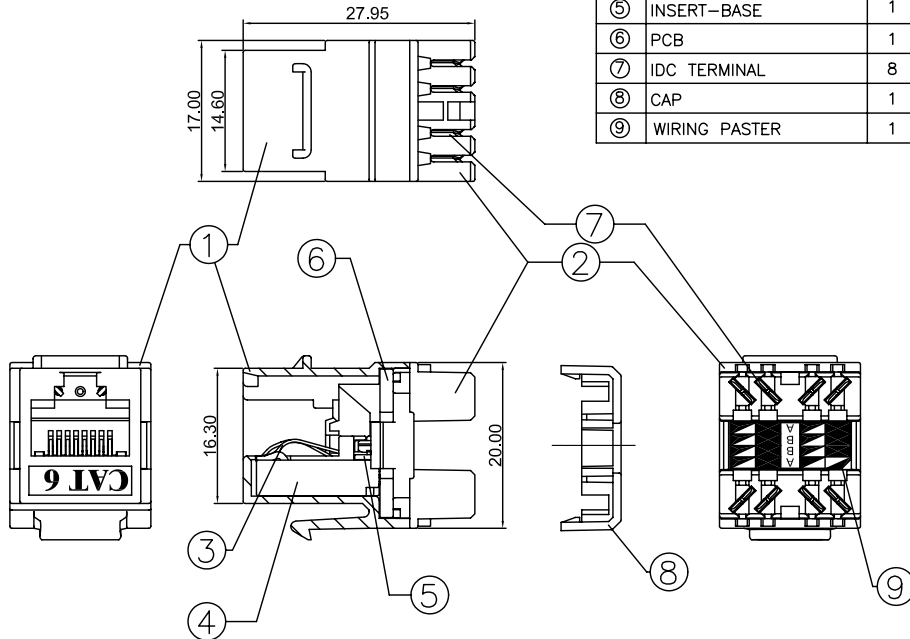
TRANSMISSION PERFORMANCE:
 Attenuation: Meets all requirements specified in connecting hardware requirement of TIA/EIA-568-B.2-1 Cat 6
 Return Loss: Meets all requirements specified in TIA/EIA-568-B.2-1 Cat 6
 NEXT: Margin at least 10dB tested by Fluke DSP4300 PM06 Adapter

ENVIRONMENTAL CONDITIONS:
 Temperature Range
 Storage: -40 to +70°C
 Operation: -10 to +60°C
 Relative Humidity (Operational) : Maximum Noncondensing 93%

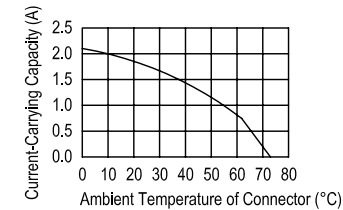
MECHANICAL:
 Total Contact Force : 800 Grams for A 8 Wire Leads minimum
 Retention : 50N (11 lbf) for 60s±5s
 Insertion / Extraction Life : 750 Cycles minimum
 IDC Wire Gauge : 22 ~ 26 AWG

PHYSICAL:
 Housing : High-Impact, Flame-Retardant Plastic, UL 94V0
 Spring Wire : Phosphor Bronze Alloy Plated with 50 micro-inch of Gold over 100 micro-inch of Nickel
 IDC : Phosphor Bronze Alloy with 100 micro-inch 9:1 Sn-Pb Alloy

ELECTRICAL:
 Electrical Insulation Resistance : 500 M Ω min. @ 100V d.c
 Dielectric Withstanding Voltage : 1000V RMS @ 60Hz for 1 minute
 Contact Resistance : 20 M Ω Max.
 Current Rating : As figure.



Frequency	1	4	8	10	16	20	25	31.25	62.5	100	200	250
NEXT	97.11	88.76	83.55	81.03	79.31	75.08	72.99	72.05	65.72	60.78	52.44	49.16
3,5-4,6 H/L NEXT	95.82	83.82	79.32	76.98	73.40	71.16	68.87	65.98	61.94	60.57	50.86	45.25
FEXT	84.75	71.93	65.86	64.16	60.17	58.20	56.60	54.72	48.90	44.95	44.95	41.38
RL	51.50	56.27	57.50	57.09	56.96	57.29	56.52	55.12	56.55	52.49	30.04	24.54
IL	0.07	0.06	0.06	0.07	0.07	0.08	0.07	0.08	0.10	0.13	0.13	0.18



e-mail.....info@dynacomcorp.com
 1366 San Mateo Ave Suite 201
 South San Francisco CA 94080

Dimensions: mm - DO NOT SCALE DRAWING

NEXT ASSY-	DRAWN: A.L. 02/19/05	CHECKED: Ellis Ashkenazi
TITLE: Cat 6 Jack Module 180 Deg.	DWG. NO. 10606F	SHEET 1 OF 1
		REV. B