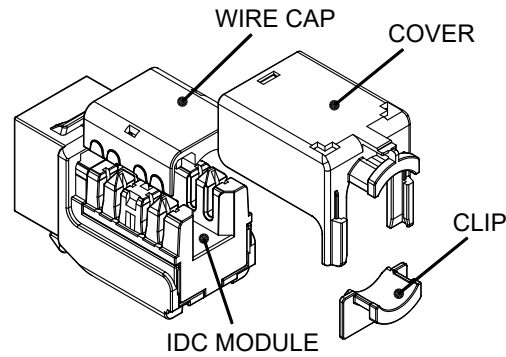
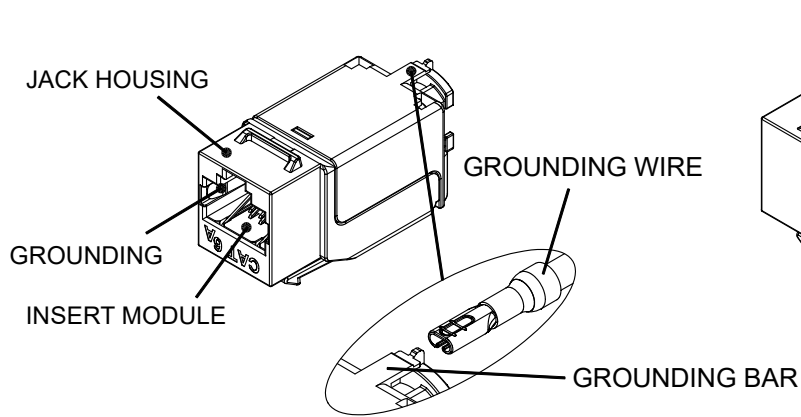
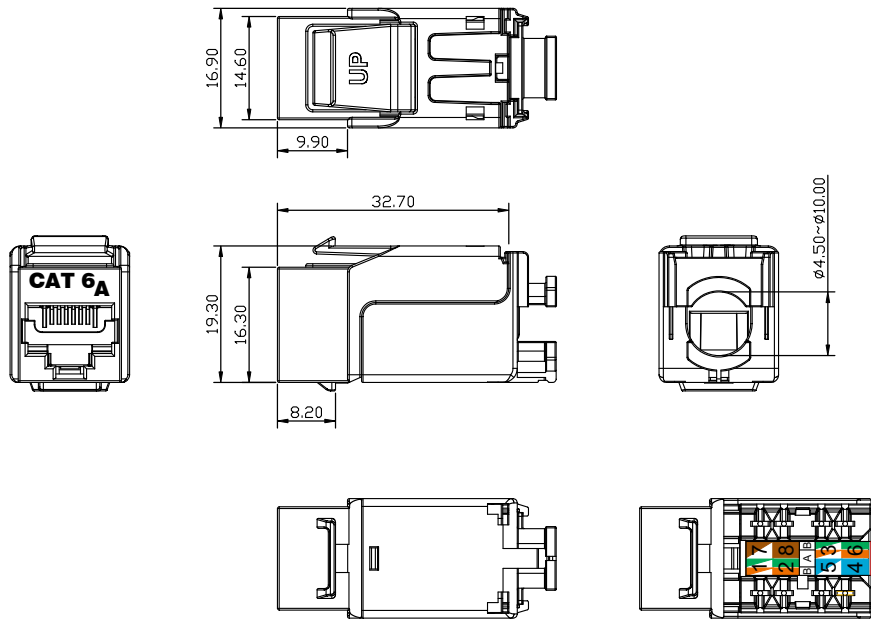


THE INFORMATION CONTAINED HEREON IS PROPRIETARY AND CONFIDENTIAL TO DYNACOM CORPORATION. AND SHALL NOT BE USED OR DISCLOSED, IN WHOLE OR IN PART WITHOUT FIRST OBTAINING THE WRITTEN PERMISSION OF DYNACOM CORPORATION. SPECIFICATIONS SUBJECT TO CHANGE WITHOUT NOTICE.

ZONE	REV.	DESCRIPTION	DATE	APPV.
-	A	INITIAL RELEASE	12/15/2022	E.A.
-	B			
-	C			
-	D			



### ASSEMBLY DIMENSION



### COMPONENTS

ITEM	PART NAME	Q'TY
1	JACK HOUSING	1
2	INSERT MODULE	1
3	GROUNDING	1
4	IDC MODULE	1
5	WIRE CAP	1
6	COVER	1
7	CLIP	1
8	CABLE TIE(ACCS.)	1

#### TRANSMISSION PERFORMANCE

Meet all requirements specified in connecting hardware requirement of:  
 ISO/IEC 11801 amendment 2, Category 6A  
 IEC 60603-7-51  
 ANSI/TIA-568-C.2, Category 6A  
 IEEE 802.3bt PoE: Type 4

#### ELECTRICAL

Electrical Insulation Resistance : 500 MΩ min. @ 100V d.c  
 Dielectric Withstanding Voltage : 1000V d.c. or a.c. Peak Contact to Contact @ 60Hz for 1 minute, 1500V d.c. or a.c. Peak Contact to Panel @ 60Hz for 1 minute

#### MECHANICAL

Insertion / Extraction Life : 750 Cycles Minimum  
 IDC Wire Gauge : 22 ~ 24 AWG

#### PHYSICAL

Housing : Zinc-alloy fully shielded  
 Spring Wire : Phosphor Bronze Alloy Plated With 50 micro-inch of Gold  
 IDC : Phosphor Bronze Alloy With 100 micro-inch 100% Sn Alloy



e-mail....sales@dynacomcorp.com  
 www.dynacomcorp.com

DIMENSIONS: MM

NEXT ASSY: -

DRAWN: E.A.

CHECKED: A.L.

TITLE

JACK MOD CAT6A HD SHIELDED METAL

DWG. NO.

SHEET 1 OF 1

REV.

10606ASH

A