

THE INFORMATION CONTAINED HEREON IS PROPRIETARY AND CONFIDENTIAL TO DYNACOM CORPORATION, AND SHALL NOT BE USED OR DISCLOSED, IN WHOLE OR IN PART, WITHOUT FIRST OBTAINING THE WRITTEN PERMISSION FROM DYNACOM CORPORATION.

ZONE	REV	DESCRIPTION	DATE	APPV.
-	A	RELEASED.	03/23/07	E.A.

5	SPRING WIRE	PHOSPHOR BRONZE "B"--PLATING GOLD 50u" OVER 30~80u" NICKEL	1+1	A=2±1mm,B=7mm c=3±1mm
4	WIRE CAP	POLYCARBONATE	1	
3	TERMINAL BASE	POLYCARBONATE	1	
2	TERMINAL COVER	POLYCARBONATE	1	
1	JACK HOUSING	ABS UL94V-0 (LP1018)	1	8P, 8PK
ITEM	PART NAME	DESCRIPTION	QTY	REMARKS

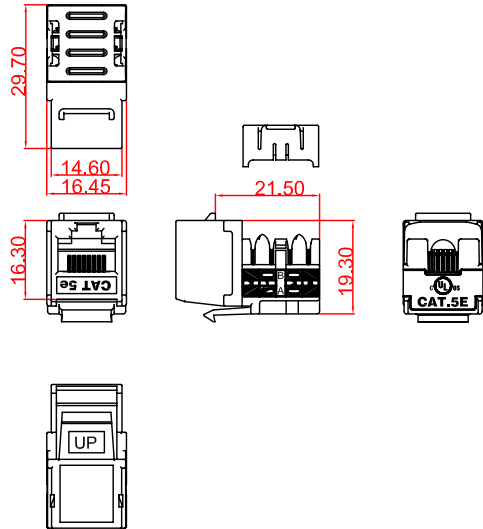
TRANSMISSION PERFORMANCE:
 Attenuation: Meets all requirements specified in connecting hardware requirement of TIA/EIA-568-B.2-1 Cat 5e
 Return Loss: Meets all requirements specified in TIA/EIA-568-B.2-1 Cat 5e
 NEXT: Margin at least 10dB tested by Fluke DSP4300 PM06 Adapter

ENVIRONMENTAL CONDITIONS:
 Temperature Range
 Storage: -40 to +70°C
 Operation: -10 to +60°C
 Relative Humidity (Operational) : Maximum Noncondensing 93%

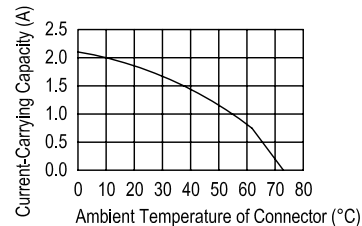
MECHANICAL:
 Total Contact Force : 800 Grams for A 8 Wire Leads minimum
 Retention : 50N (11 lbf) for 60s±5s
 Insertion / Extraction Life : 750 Cycles minimum
 IDC Wire Gauge : 22 ~ 24 AWG

PHYSICAL:
 Housing : High-Impact, Flame-Retardant Plastic, UL 94V-0
 Spring Wire : Phosphor Bronze Alloy Plated with 50 micro-inch of Gold over 70-100 micro-inch of Nickel
 IDC : Phosphor Bronze Alloy with 100 micro-inch of Tin

ELECTRICAL:
 Electrical Insulation Resistance : 500 M Ω min. @ 100V dc
 Dielectric Withstanding Voltage : 1000V dc or ac Peak Contact to Contact @ 60Hz for 1 min.
 Contact Resistance : 20 M Max. Ω
 Current Rating : As figure.



Frequency	1	4	8	10	16	20	25	31.25	62.5	100
NEXT	87.26	78.55	73.58	71.52	67.21	65.23	62.81	60.50	51.24	44.24
FEXT	82.27	71.86	66.14	64.12	60.33	58.33	56.54	54.60	48.79	45.54
RL	47.32	45.45	41.61	40.07	36.74	35.19	33.33	31.59	25.96	22.46
IL	0.06	0.03	0.03	0.03	0.04	0.04	0.05	0.05	0.07	0.09



e-mail.....info@dynacomcorp.com
 1366 San Mateo Ave Suite 201
 South San Francisco CA 94080

Dimensions: mm - DO NOT SCALE DRAWING

NEXT ASSY--	DRAWN: Allan	CHECKED: E.A.
TITLE: Cat 5e HD 90° Data Jack Module	DWG. NO. 10605H	SHEET 1 OF 1 REV. A