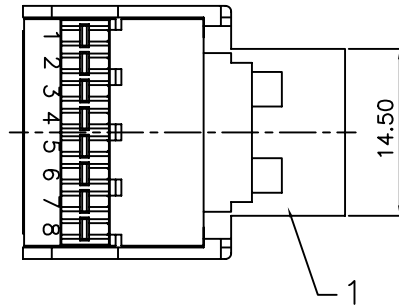
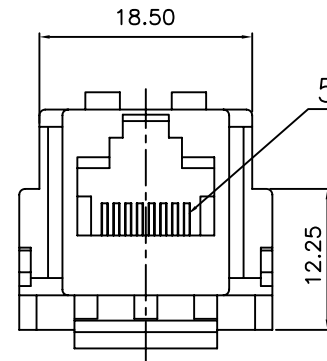
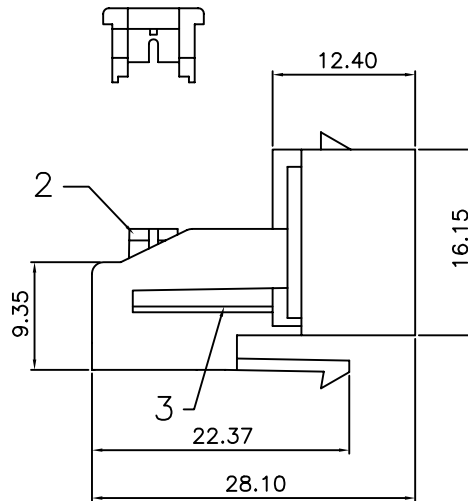
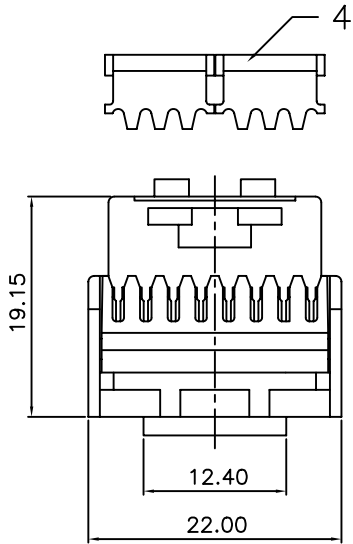


THE INFORMATION CONTAINED HEREON IS PROPRIETARY AND CONFIDENTIAL TO DYNACOM CORPORATION AND SHALL NOT BE USED OR DISCLOSED, IN WHOLE OR IN PART WITHOUT FIRST OBTAINING THE WRITTEN PERMISSION OF DYNACOM CORPORATION. SPECIFICATIONS ARE SUBJECT TO CHANGE WITHOUT NOTICE.



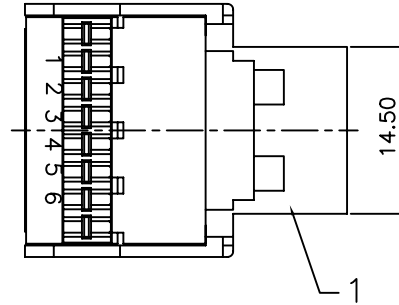
5	SPRING WIRE	PHOSPHOR BRONZE **--PLATING GOLD 50u" OVER 30~80u" NICKEL	1	
4	WIRE CAP	POLYCARBONATE	1	
3	TERMINAL BASE	POLYCARBONATE	1	
2	TERMINAL COVER	POLYCARBONATE	1	
1	JACK HOUSING	ABS UL94V-0 (LP1003A)	1	
ITEM	PART NAME	DESCRIPTION	Q'TY	REMARK



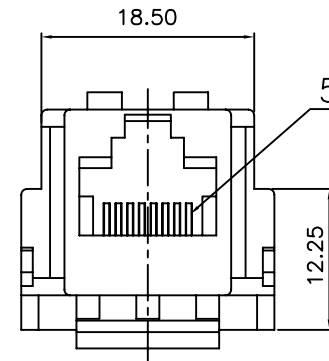
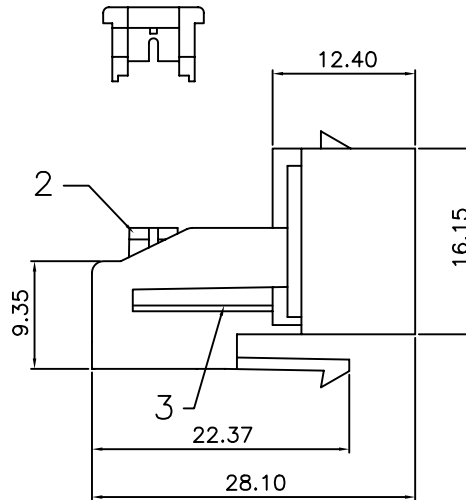
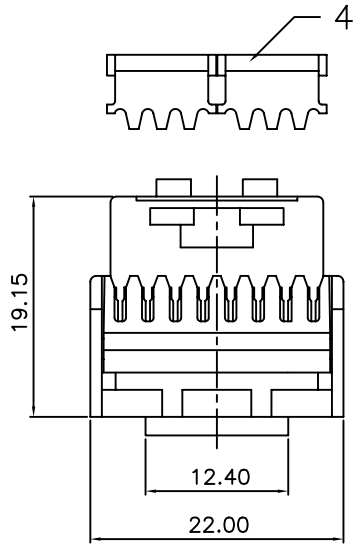
1. AVAILABLE COLORS: BLACK, BLUE, IVORY, RED, WHITE, YELLOW
2. JACK HOUSING: HIGH IMPACT SELF EXTINGUISHING PLASTIC RATED UL94V-0.
3. CONTACTS: PHOSPHOR BRONZE PLATED WITH 50 MICROINCHES OF GOLD OVER 50 MICROINCHES OF NICKEL.
4. IDC: ACCOMMODATES 22/24 AWG.
5. RATED UP TO 16 MBPS.

Title: 8-CONDUCTOR JACK MODULE
Part #: 10600-8-XXX

THE INFORMATION CONTAINED HEREON IS PROPRIETARY AND CONFIDENTIAL TO DYNACOM CORPORATION AND SHALL NOT BE USED OR DISCLOSED, IN WHOLE OR IN PART WITHOUT FIRST OBTAINING THE WRITTEN PERMISSION OF DYNACOM CORPORATION. SPECIFICATIONS ARE SUBJECT TO CHANGE WITHOUT NOTICE.



5	SPRING WIRE	PHOSPHOR BRONZE **--PLATING GOLD 50u" OVER 30~80u" NICKEL	1	
4	WIRE CAP	POLYCARBONATE	1	
3	TERMINAL BASE	POLYCARBONATE	1	
2	TERMINAL COVER	POLYCARBONATE	1	
1	JACK HOUSING	ABS UL94V-0 (LP1003A)	1	
ITEM	PART NAME	DESCRIPTION	Q'TY	REMARK



1. AVAILABLE COLORS: ALMOND, BLACK, BLUE, GRAY, GREEN, IVORY, ORANGE, RED, WHITE, YELLOW
2. JACK HOUSING: HIGH IMPACT SELF EXTINGUISHING PLASTIC RATED UL94V-0.
3. CONTACTS: PHOSPHOR BRONZE PLATED WITH 50 MICROINCHES OF GOLD OVER 50 MICROINCHES OF NICKEL.
4. IDC: ACCOMMODATES 22/24 AWG.
5. RATED UP TO 16 MBPS.

Title: 6-CONDUCTOR JACK MODULE
Part #: 10600-6-XXX