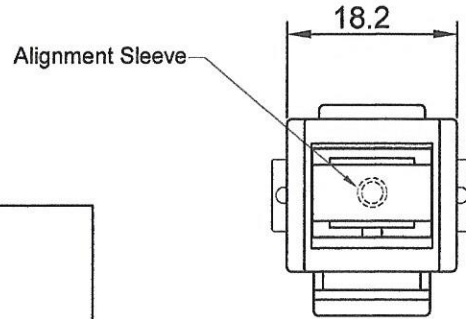


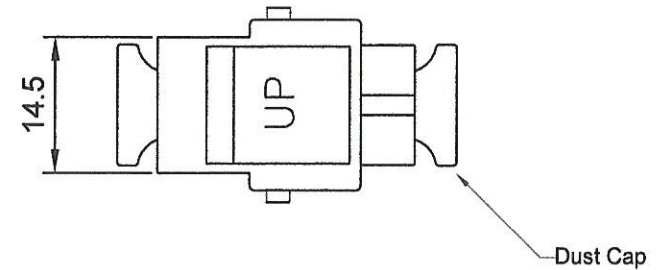
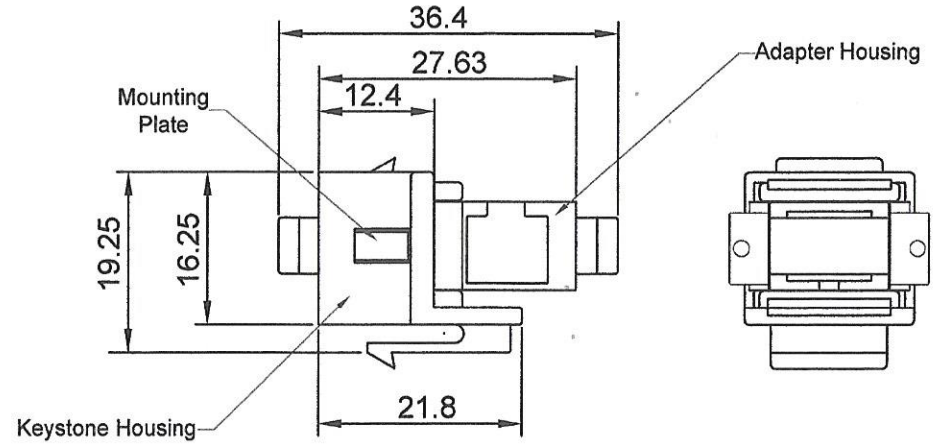
THE INFORMATION CONTAINED HEREON IS PROPRIETARY AND CONFIDENTIAL TO DYNACOM CORPORATION. AND SHALL NOT BE USED OR DISCLOSED, IN WHOLE OR IN PART WITHOUT FIRST OBTAINING THE WRITTEN PERMISSION OF DYNACOM CORPORATION.

ZONE	REV	DESCRIPTION	DATE	APPV.
-	A	INITIAL RELEASE	12/12/2012	E.A.
-	B	REMOVED 2 EAR TAPS ON ADAPTER.	02/26/13	E.A.
	C	ADDED EAR TABS	09/13/2018	E.A.



SPECIFICATION:

INSERTION LOSS (dB)	
TYP/MAX	0.2/0.4
Δ IL (dB) 500 MATINGS	0.1
TEMP RANGE (°C)	-40 TO +85
ALIGNMENT SLEEVE	
RETENTION FORCE (gf)	200~600



DESCRIPTION DATA

Part Number	10600-SC-MM-XX
Style	SC Simplex-Multi Mode (MM)
Keystone Housing	Material: Plastic, ABS UL94V0. Color: White
Adapter Housing	Material: Engineering Plastic, Color: Blue
Alignment Sleeve	Material: Bronze
Dust Cap	Material: Engineering Plastic, Color-Black
Mounting Plate	Stainless Steel



e-mail.....sales@dynacomcorp.com

webwww.dynacomcorp.com

TOLS:

NEXT ASSY: -

DRAWN: E.A. 12/12/2012

CHECKED: -

TITLE:

SC Coupler Module, Multi Mode

DWG. NO.

10600-SC-MM-XX

REV.

C