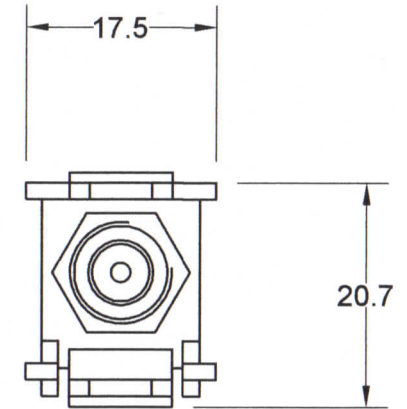
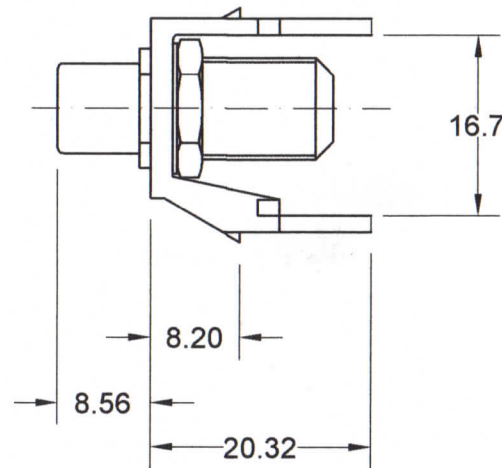
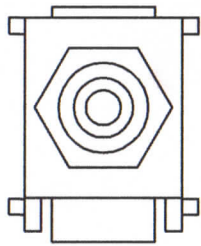


THE INFORMATION CONTAINED HEREON IS PROPRIETARY AND CONFIDENTIAL TO DYNACOM CORPORATION. AND SHALL NOT BE USED OR DISCLOSED, IN WHOLE OR IN PART WITHOUT FIRST OBTAINING THE WRITTEN PERMISSION OF DYNACOM CORPORATION.

ZONE	REV	DESCRIPTION	DATE	APPV.
-	A	INITIAL RELEASE	08-01-2011	E.A.
	B	ADDED NOTES AND REDRAWN.	08-05-2011	E.A.

NOTES:

- MATERIAL: RECESSED BEZEL-ABS MEETS RATING 94V-0.
XX = BEZEL COLOR, IV or WH
- MATERIAL: RCA CONNECTOR BODY with WASHER & NUT
BRASS AND NICKEL FINISH, WITH CHOICE OF
YY = INSULATOR: YL, RD, BL, GN, WH



e-mail.....sales@dynacomcorp.com
webwww.dynacomcorp.com

DIMENSIONS ARE SHOWN IN MILIMETERS.

NEXT ASSY: -	DRAWN: E.A. 08/01/2011	CHECKED: -
RCA to F Style Adapter Module		DWG. NO. 10600-RCAF-YY-XX
		REV. B