

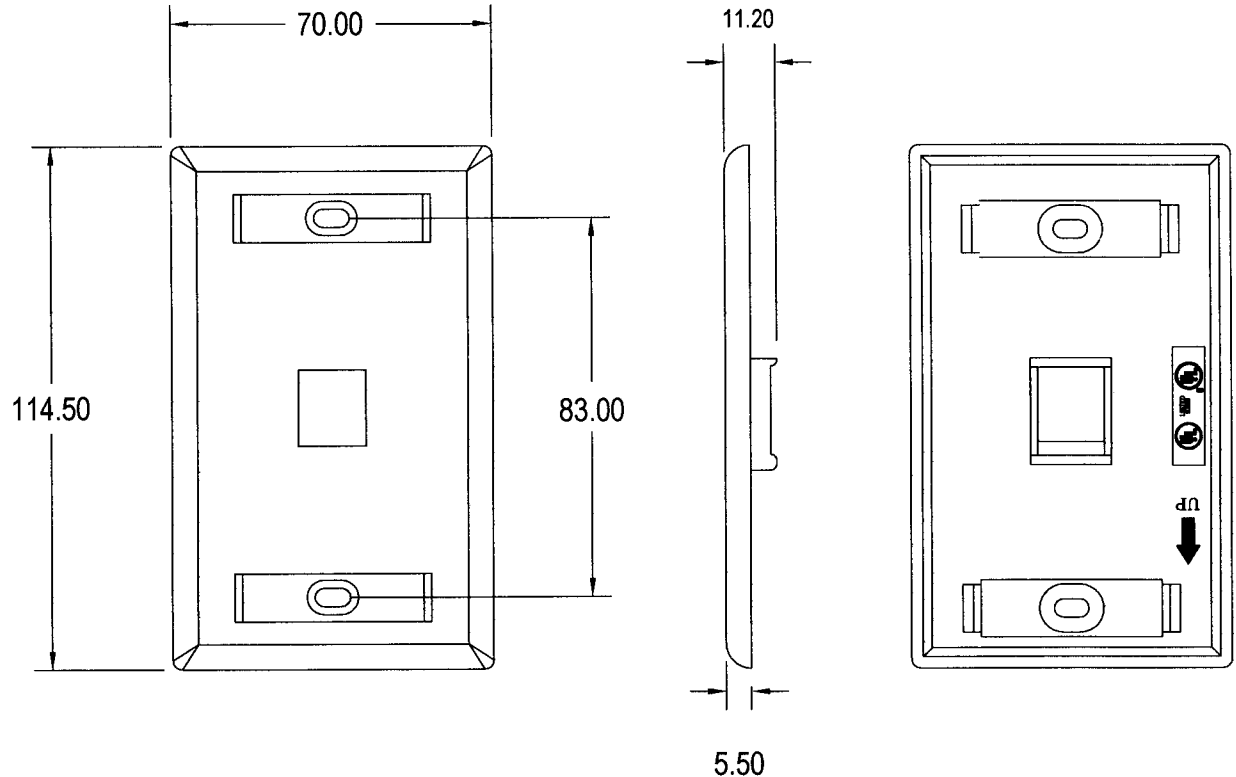
THE INFORMATION CONTAINED HEREON IS PROPRIETARY AND CONFIDENTIAL TO DYNACOM CORPORATION, AND SHALL NOT BE USED OR DISCLOSED, IN WHOLE OR IN PART, WITHOUT FIRST OBTAINING THE WRITTEN PERMISSION FROM DYNACOM CORPORATION.

ZONE	REV	DESCRIPTION	DATE	APPV.
-	A	RELEASED.	10/13/2008	E.A.
-	B	CHANGED PICTURE TO 2-PORT, ADDED PARTS TABLE.	11/11/2013	E.A.

NOTES:

1. MATERIAL: ABS & MUST MEET RATING 94V-0. COLOR: OPTIONAL.
2. PART TO BE FREE BURRS, SCRATCHES, SPOTS, SUCKS OR OTHER IMPERFECTIONS THAT MAY PREJUDICE THE APPEARANCE OR FUNCTION.
3. EXTRACTION ANGLES TO BE 0°30' MAXIMUM, WHENEVER NOT MENTIONED.
4. UNLESS OTHERWISE SPECIFIED TOLERANCE TO BE FOLLOWING: (I) LINEAR: ± 0.2mm. (II) ANGULAR: 0°30'.
5. TEXTURE: MT11020

ITEM NO:	PARTS NAME	QTY	MATERIAL
1	WALL PLATE (1 PORT)	1	ABS 94V-0
2	WINDOW	2	K RESIN
3	#6x22 SCREW	2	1010
4	LABLE	2	PAPER
5	BLANK	1	ABS 94V-0



e-mail.....sales@dynamcomcorp.com
 31082 San Antonio Street
 Hayward, California 94544

Dimensions: mm - DO NOT SCALE DRAWING

NEXT ASSY-	DRAWN: E.A.	CHECKED: E.A.
TITLE:	1-Port ID Window Wallplate	DWG. NO. SHEET 1 OF 1 REV. B
	10600-P1W-XX	

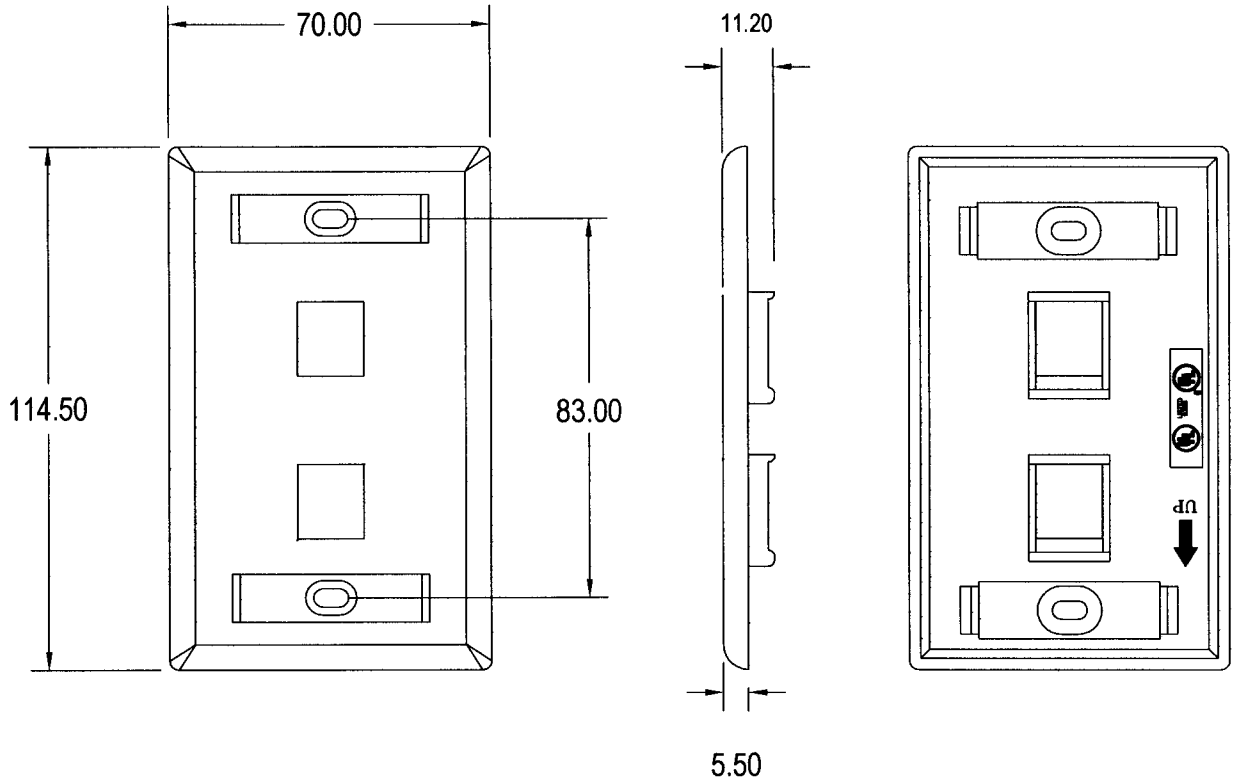
THE INFORMATION CONTAINED HEREON IS PROPRIETARY AND CONFIDENTIAL TO DYNACOM CORPORATION, AND SHALL NOT BE USED OR DISCLOSED, IN WHOLE OR IN PART, WITHOUT FIRST OBTAINING THE WRITTEN PERMISSION FROM DYNACOM CORPORATION.

ZONE	REV	DESCRIPTION	DATE	APPV.
-	A	RELEASED.	10/13/2008	E.A.
-	B	CHANGED PICTURE TO 2-PORT, ADDED PARTS TABLE.	11/11/2013	E.A.

NOTES:

1. MATERIAL: ABS & MUST MEET RATING 94V-0. COLOR: OPTIONAL.
2. PART TO BE FREE BURRS, SCRATCHES, SPOTS, SUCKS OR OTHER IMPERFECTIONS THAT MAY PREJUDICE THE APPEARANCE OR FUNCTION.
3. EXTRACTION ANGLES TO BE 0°30' MAXIMUM, WHENEVER NOT MENTIONED.
4. UNLESS OTHERWISE SPECIFIED TOLERANCE TO BE FOLLOWING: (I) LINEAR: ± 0.2mm. (II) ANGULAR: 0°30'.
5. TEXTURE: MT11020

ITEM NO:	PARTS NAME	QTY	MATERIAL
1	WALL PLATE (2 PORT)	1	ABS 94V-0
2	WINDOW	2	K RESIN
3	#6x22 SCREW	2	1010
4	LABLE	2	PAPER
5	BLANK	1	ABS 94V-0



e-mail.....sales@dynacomcorp.com

31082 San Antonio Street
Hayward, California 94544

Dimensions: mm - DO NOT SCALE DRAWING

NEXT ASSY-

DRAWN: E.A.

CHECKED: E.A.

TITLE:

2-Port ID Window Wallplate

DWG. NO. SHEET 1 OF 1

10600-P2W-XX

REV.

B

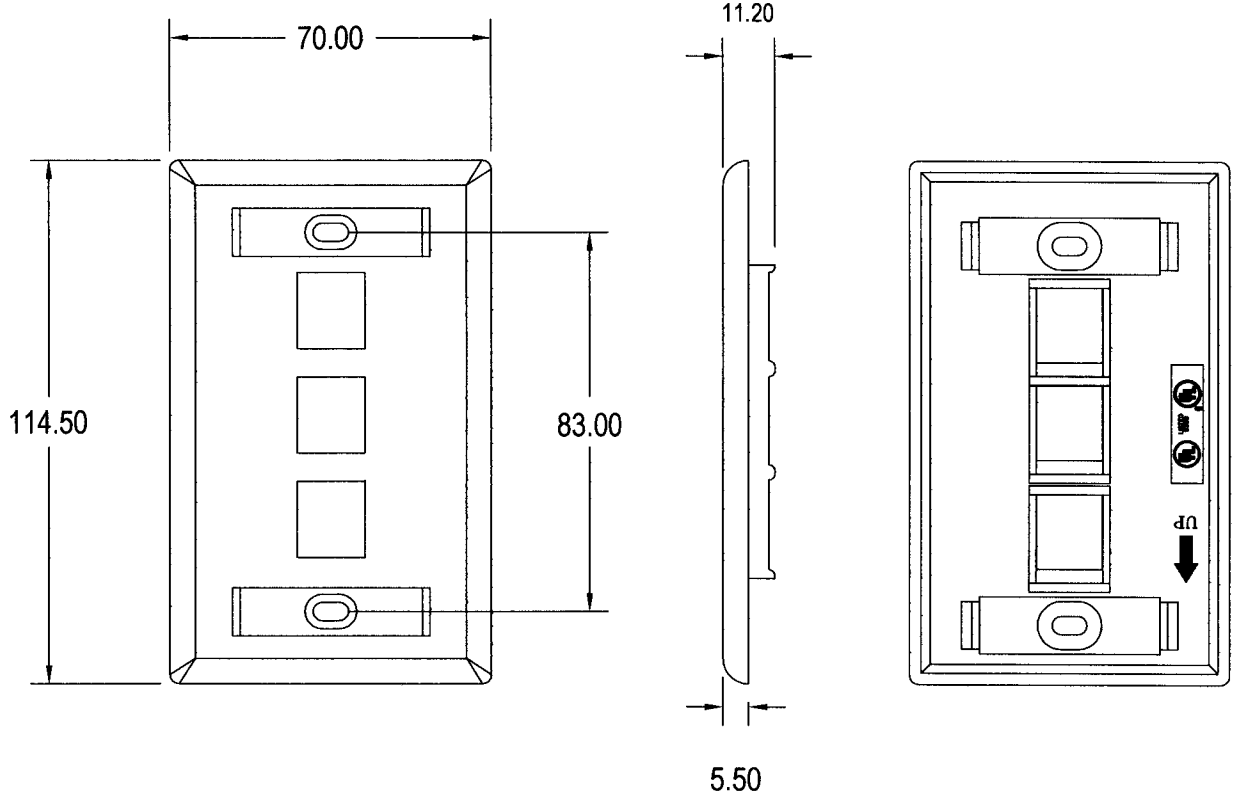
THE INFORMATION CONTAINED HEREON IS PROPRIETARY AND CONFIDENTIAL TO DYNACOM CORPORATION, AND SHALL NOT BE USED OR DISCLOSED, IN WHOLE OR IN PART, WITHOUT FIRST OBTAINING THE WRITTEN PERMISSION FROM DYNACOM CORPORATION.

ZONE	REV	DESCRIPTION	DATE	APPV.
-	A	RELEASED.	10/13/2008	E.A.
-	B	ADDED REAR VIEW AND PARTS TABLE.	11/11/2013	E.A.

NOTES:

1. MATERIAL: ABS & MUST MEET RATING 94V-0. COLOR: OPTIONAL.
2. PART TO BE FREE BURRS, SCRATCHES, SPOTS, SUCKS OR OTHER IMPERFECTIONS THAT MAY PREJUDICE THE APPEARANCE OR FUNCTION.
3. EXTRACTION ANGLES TO BE 0°30' MAXIMUM, WHENEVER NOT MENTIONED.
4. UNLESS OTHERWISE SPECIFIED TOLERANCE TO BE FOLLOWING: (I) LINEAR: ± 0.2mm. (II) ANGULAR: 0°30'.
5. TEXTURE: MT11020

ITEM NO:	PARTS NAME	QTY	MATERIAL
1	WALL PLATE (3 PORT)	1	ABS 94V-0
2	WINDOW	2	K RESIN
3	#6x22 SCREW	2	1010
4	LABLE	2	PAPER
5	BLANK	1	ABS 94V-0



e-mail.....sales@dynacomcorp.com

31082 San Antonio Street
Hayward, California 94544

Dimensions: mm - DO NOT SCALE DRAWING

NEXT ASSY-

DRAWN: E.A.

CHECKED: E.A.

TITLE:

3-Port ID Window Wallplate

DWG. NO. SHEET 1 OF 1

10600-P3W-XX

REV.

B

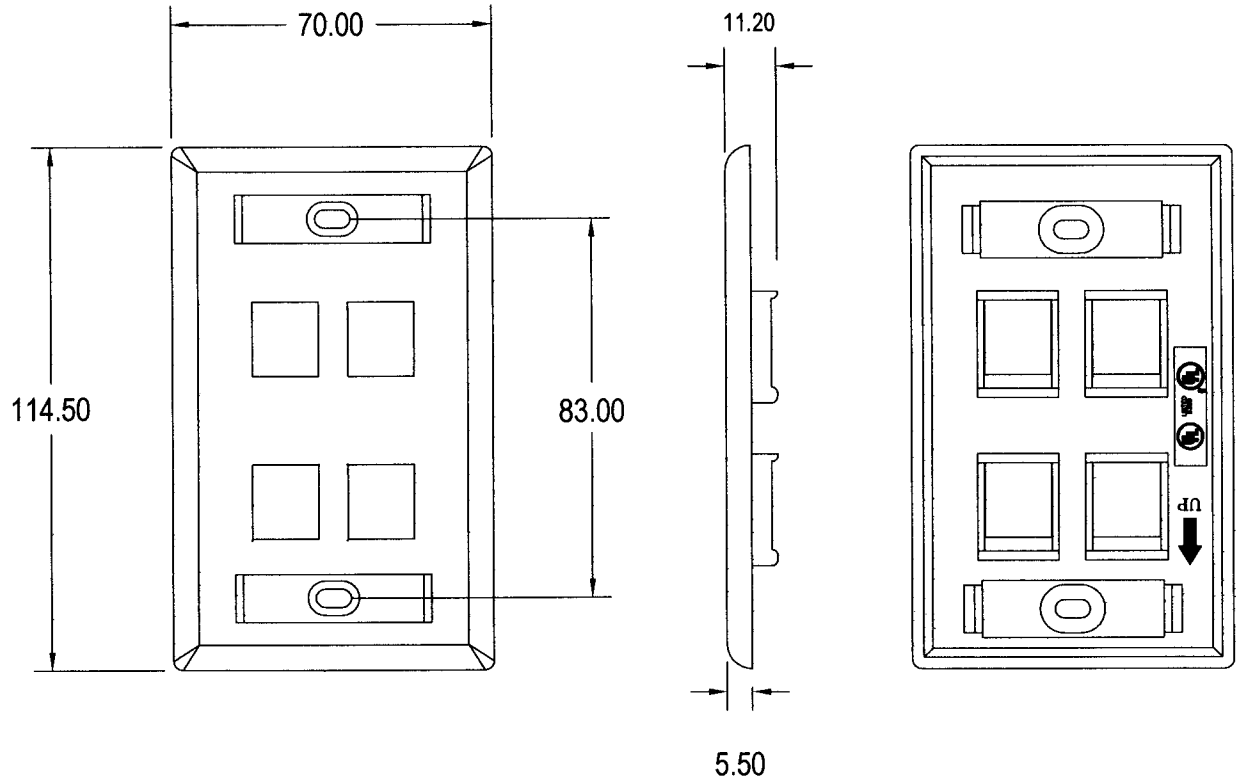
1 THE INFORMATION CONTAINED HEREON IS PROPRIETARY AND CONFIDENTIAL TO DYNACOM CORPORATION, AND SHALL NOT BE USED OR DISCLOSED, IN WHOLE OR IN PART, WITHOUT FIRST OBTAINING THE WRITTEN PERMISSION FROM DYNACOM CORPORATION.

ZONE	REV	DESCRIPTION	DATE	APPV.
-	A	RELEASED.	10/13/2008	E.A.
-	B	CHANGED PICTURE TO 2-PORT, ADDED PARTS TABLE.	11/11/2013	E.A.

NOTES:

1. MATERIAL: ABS & MUST MEET RATING 94V-0. COLOR: OPTIONAL.
2. PART TO BE FREE BURRS, SCRATCHES, SPOTS, SUCKS OR OTHER IMPERFECTIONS THAT MAY PREJUDICE THE APPEARANCE OR FUNCTION.
3. EXTRACTION ANGLES TO BE 0°30' MAXIMUM, WHENEVER NOT MENTIONED.
4. UNLESS OTHERWISE SPECIFIED TOLERANCE TO BE FOLLOWING: (I) LINEAR: ± 0.2mm. (II) ANGULAR: 0°30'.
5. TEXTURE: MT11020

ITEM NO:	PARTS NAME	QTY	MATERIAL
1	WALL PLATE (4 PORT)	1	ABS 94V-0
2	WINDOW	2	K RESIN
3	#6x22 SCREW	2	1010
4	LABLE	2	PAPER
5	BLANK	2	ABS 94V-0



e-mail.....sales@dynacomcorp.com
 31082 San Antonio Street
 Hayward, California 94544

Dimensions: mm - DO NOT SCALE DRAWING

NEXT ASSY-	DRAWN: E.A.	CHECKED: E.A.
TITLE: 4-Port ID Window Wallplate	DWG. NO. 10600-P4W-XX	SHEET 1 OF 1 REV. B

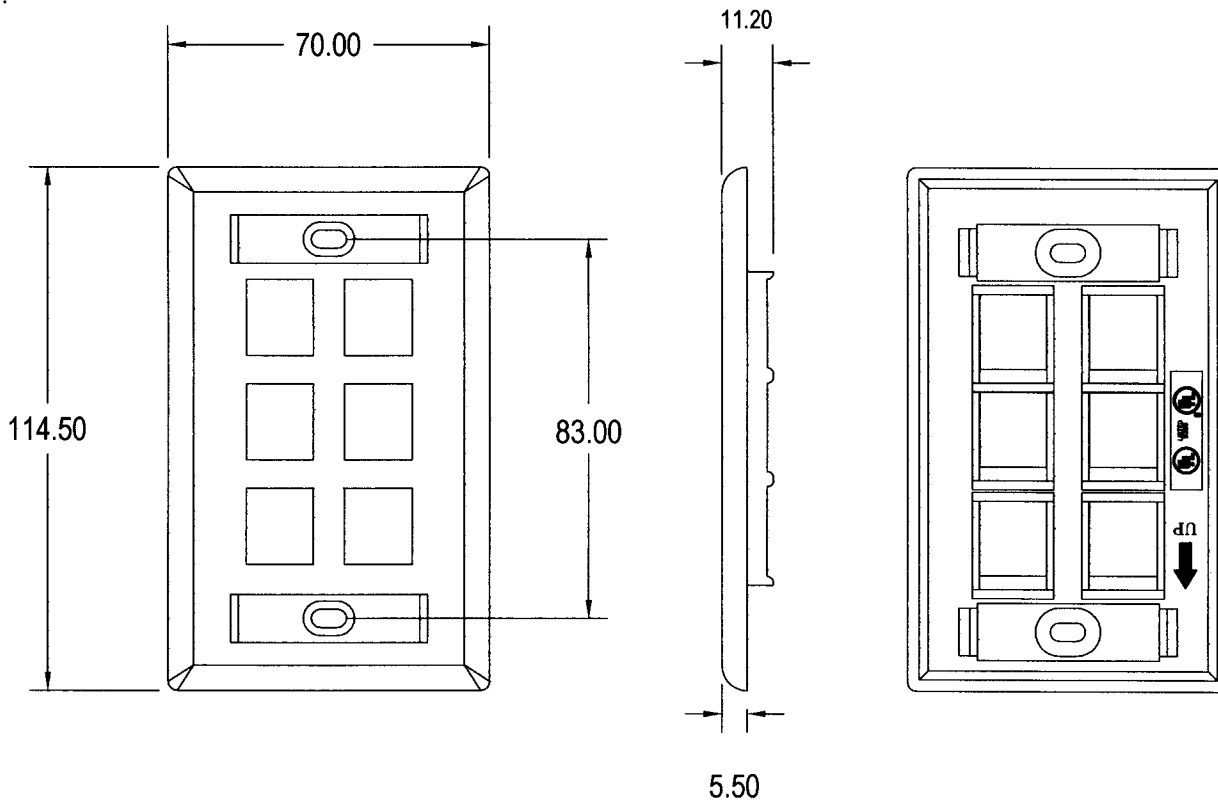
THE INFORMATION CONTAINED HEREON IS PROPRIETARY AND CONFIDENTIAL TO DYNACOM CORPORATION, AND SHALL NOT BE USED OR DISCLOSED, IN WHOLE OR IN PART, WITHOUT FIRST OBTAINING THE WRITTEN PERMISSION FROM DYNACOM CORPORATION.

ZONE	REV	DESCRIPTION	DATE	APPV.
-	A	RELEASED.	10/13/2008	E.A.
-	B	ADDED REAR VIEW AND PARTS TABLE.	11/11/2013	E.A.

NOTES:

1. MATERIAL: ABS & MUST MEET RATING 94V-0. COLOR: OPTIONAL.
2. PART TO BE FREE BURRS, SCRATCHES, SPOTS, SUCKS OR OTHER IMPERFECTIONS THAT MAY PREJUDICE THE APPEARANCE OR FUNCTION.
3. EXTRACTION ANGLES TO BE 0°30' MAXIMUM, WHENEVER NOT MENTIONED.
4. UNLESS OTHERWISE SPECIFIED TOLERANCE TO BE FOLLOWING: (I) LINEAR: ± 0.2mm.
(II) ANGULAR: 0°30'.
5. TEXTURE: MT11020

ITEM NO:	PARTS NAME	QTY	MATERIAL
1	WALL PLATE (6 PORT)	1	ABS 94V-0
2	WINDOW	2	K RESIN
3	#6x22 SCREW	2	1010
4	LABLE	2	PAPER
5	BLANK	3	ABS 94V-0



e-mail.....sales@dynamcomcorp.com

31082 San Antonio Street
Hayward, California 94544

Dimensions: mm - DO NOT SCALE DRAWING

NEXT ASSY-	DRAWN: E.A.	CHECKED: E.A.	
TITLE:	6-Port ID Window Wallplate	DWG. NO. SHEET 1 OF 1	REV.
		10600-P6W-XX	B