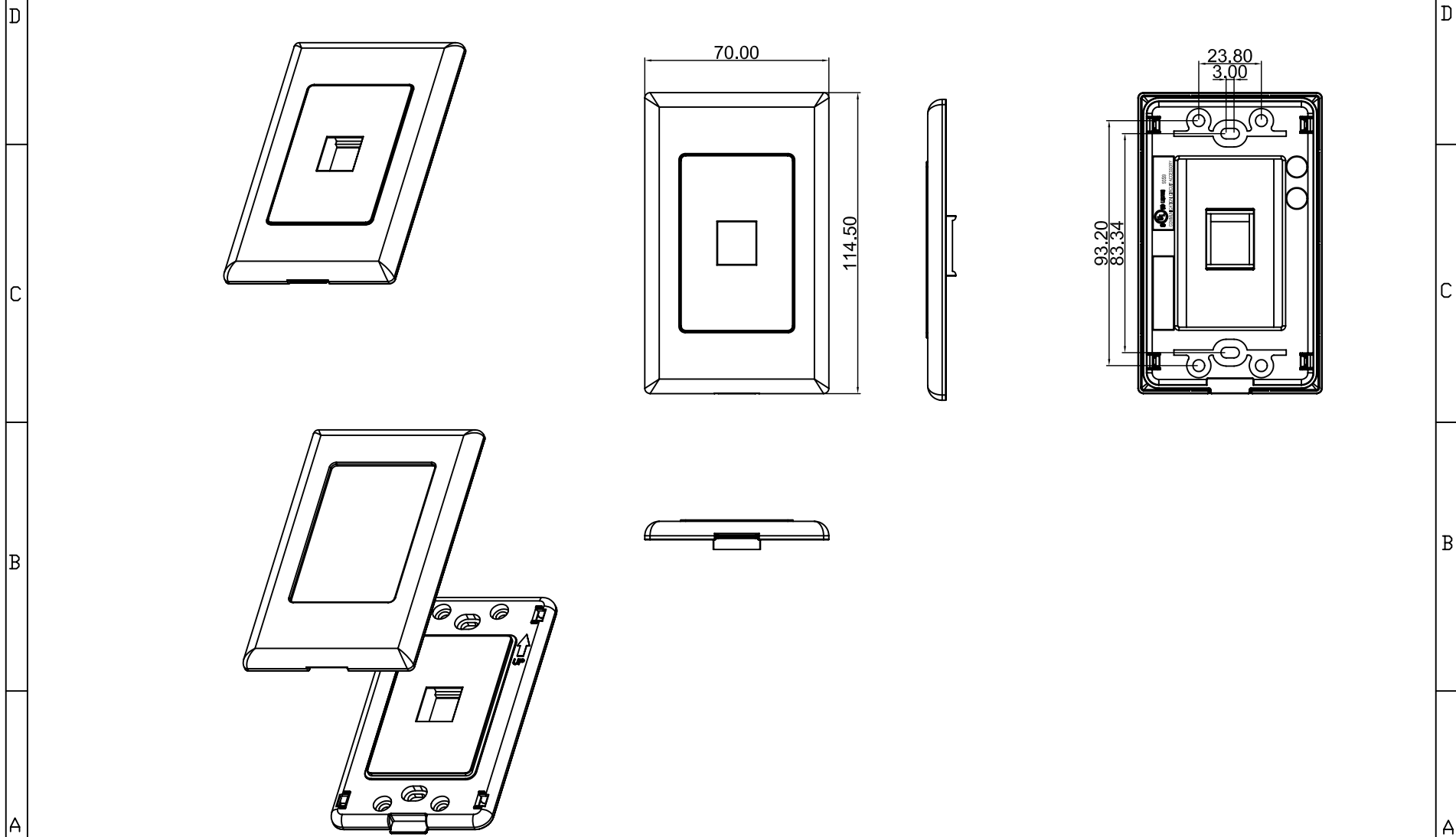


THE INFORMATION CONTAINED HEREON IS PROPRIETARY AND CONFIDENTIAL TO DYNACOM CORPORATION, AND SHALL NOT BE USED OR DISCLOSED, IN WHOLE OR IN PART, WITHOUT FIRST OBTAINING THE WRITTEN PERMISSION FROM DYNACOM CORPORATION.

ZONE	REV	DESCRIPTION	DATE	APPV.
-	A	RELEASED.	09/16/2008	E.A.

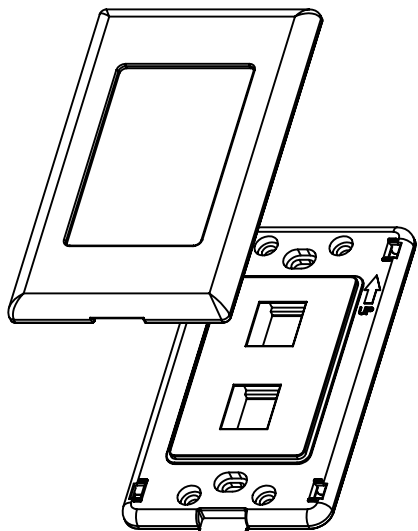
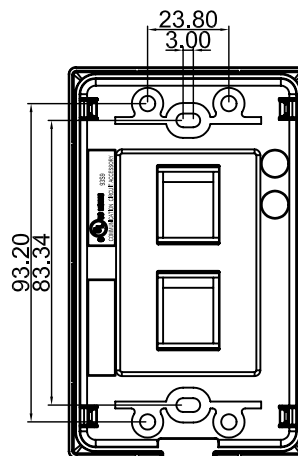
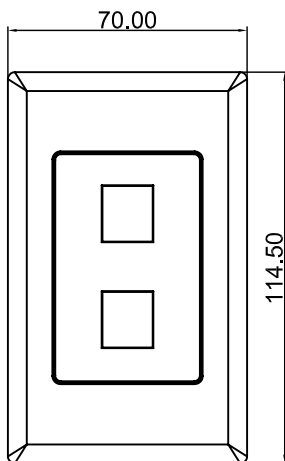
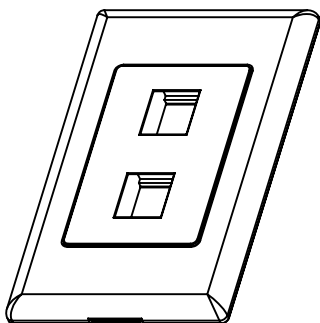


e-mail.....sales@dynacomcorp.com
 31082 San Antonio Street
 Hayward, California 94544

Dimensions: mm - DO NOT SCALE DRAWING			
NEXT ASSY-	DRAWN: E.A.	CHECKED: E.A.	
TITLE:	DWG. NO.	SHEET 1 OF 1	REV.
WALLPLATE, SCREWLESS 1-PORT	10600-P1SL-XX		A

1 THE INFORMATION CONTAINED HEREON IS PROPRIETARY AND CONFIDENTIAL TO DYNACOM CORPORATION, AND SHALL NOT BE USED OR DISCLOSED, IN WHOLE OR IN PART, WITHOUT FIRST OBTAINING THE WRITTEN PERMISSION FROM DYNACOM CORPORATION.

ZONE	REV	DESCRIPTION	DATE	APPV.
-	A	RELEASED.	09/16/2008	E.A.



e-mail.....sales@dynacomcorp.com
 31082 San Antonio Street
 Hayward, California 94544

Dimensions: mm - DO NOT SCALE DRAWING

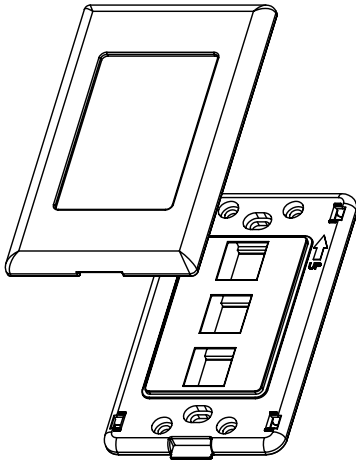
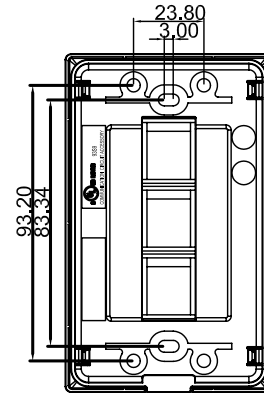
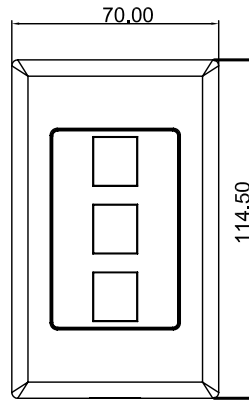
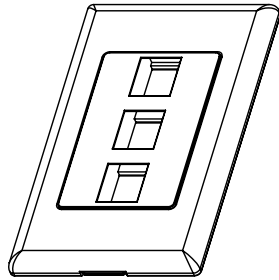
NEXT ASSY-	DRAWN: E.A.	CHECKED: E.A.
TITLE: WALLPLATE, SCREWLESS 2-PORT	DWG. NO. 10600-P2SL-XX	SHEET 1 OF 1 REV. A

THE INFORMATION CONTAINED HEREON IS PROPRIETARY AND CONFIDENTIAL TO DYNACOM CORPORATION, AND SHALL NOT BE USED OR DISCLOSED, IN WHOLE OR IN PART, WITHOUT FIRST OBTAINING THE WRITTEN PERMISSION FROM DYNACOM CORPORATION.

ZONE	REV	DESCRIPTION	DATE	APPV.
-	A	RELEASED.	09/16/2008	E.A.

D
C
B
A

D
C
B
A



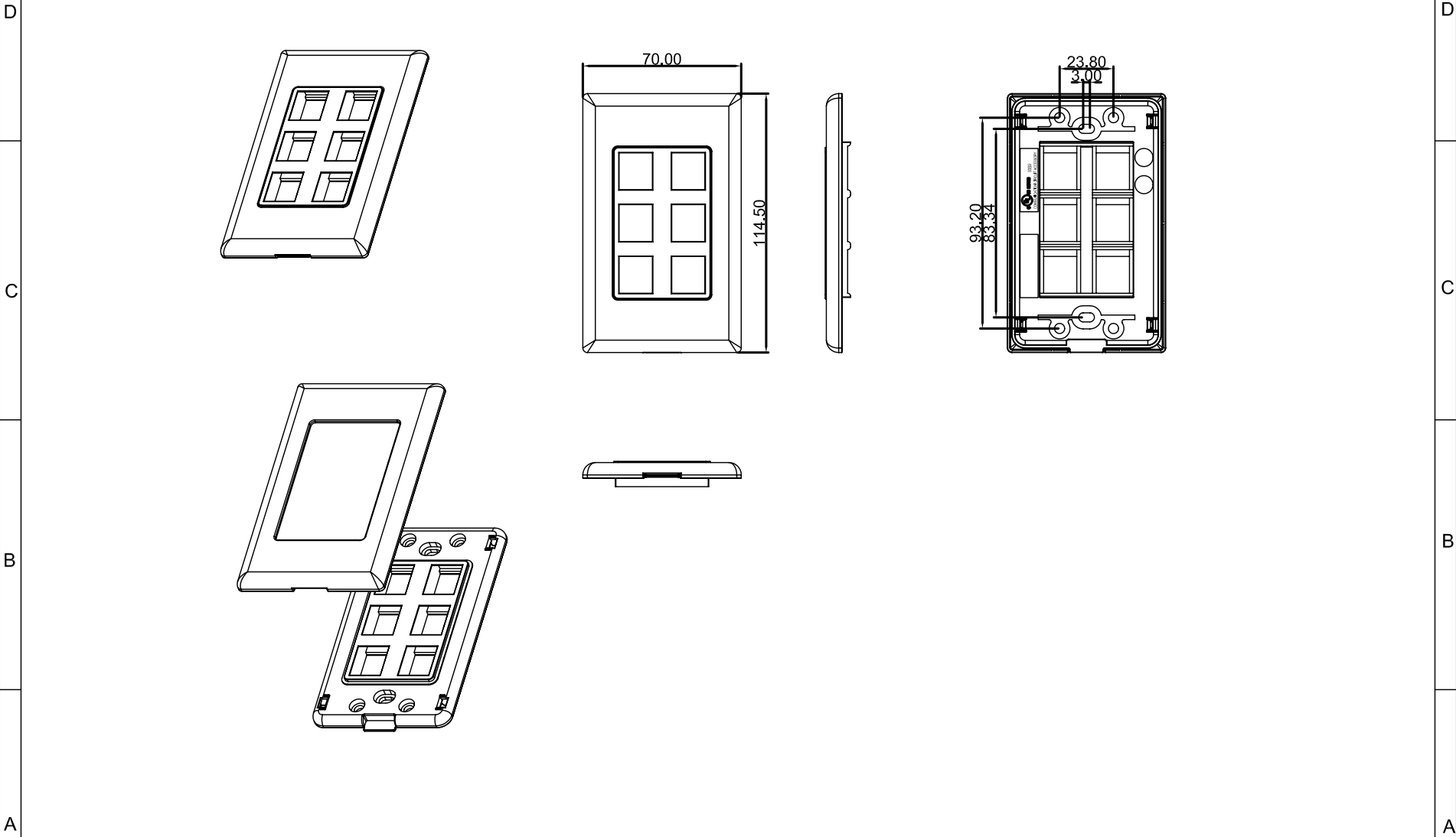
e-mail.....sales@dynacomcorp.com
 31082 San Antonio Street
 Hayward, California 94544

Dimensions: mm - DO NOT SCALE DRAWING

NEXT ASSY-	DRAWN: E.A.	CHECKED: E.A.
TITLE: WALLPLATE, SCREWLESS 3-PORT		DWG. NO. SHEET 1 OF 1 10600-P3SL-XX
		REV. A

1 THE INFORMATION CONTAINED HEREON IS PROPRIETARY AND CONFIDENTIAL TO DYNACOM CORPORATION, AND SHALL NOT BE USED OR DISCLOSED, IN WHOLE OR IN PART, WITHOUT FIRST OBTAINING THE WRITTEN PERMISSION FROM DYNACOM CORPORATION.

ZONE	REV	3 DESCRIPTION	4 DATE	APPV.
-	A	RELEASED.	09/16/2008	E.A.



e-mail.....sales@dynacomcorp.com
 31082 San Antonio Street
 Hayward, California 94544

Dimensions: mm - DO NOT SCALE DRAWING			
NEXT ASSY-	DRAWN: E.A.	CHECKED: E.A.	
TITLE: WALLPLATE, SCREWLESS 6-PORT		DWG. NO. 10600-P6SL-XX	SHEET 1 OF 1 REV. A