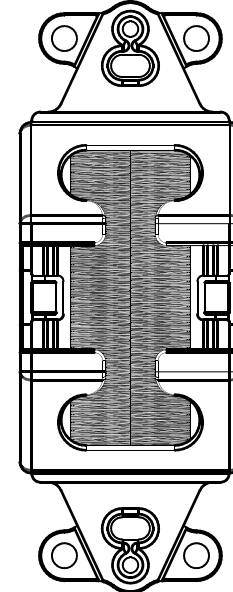
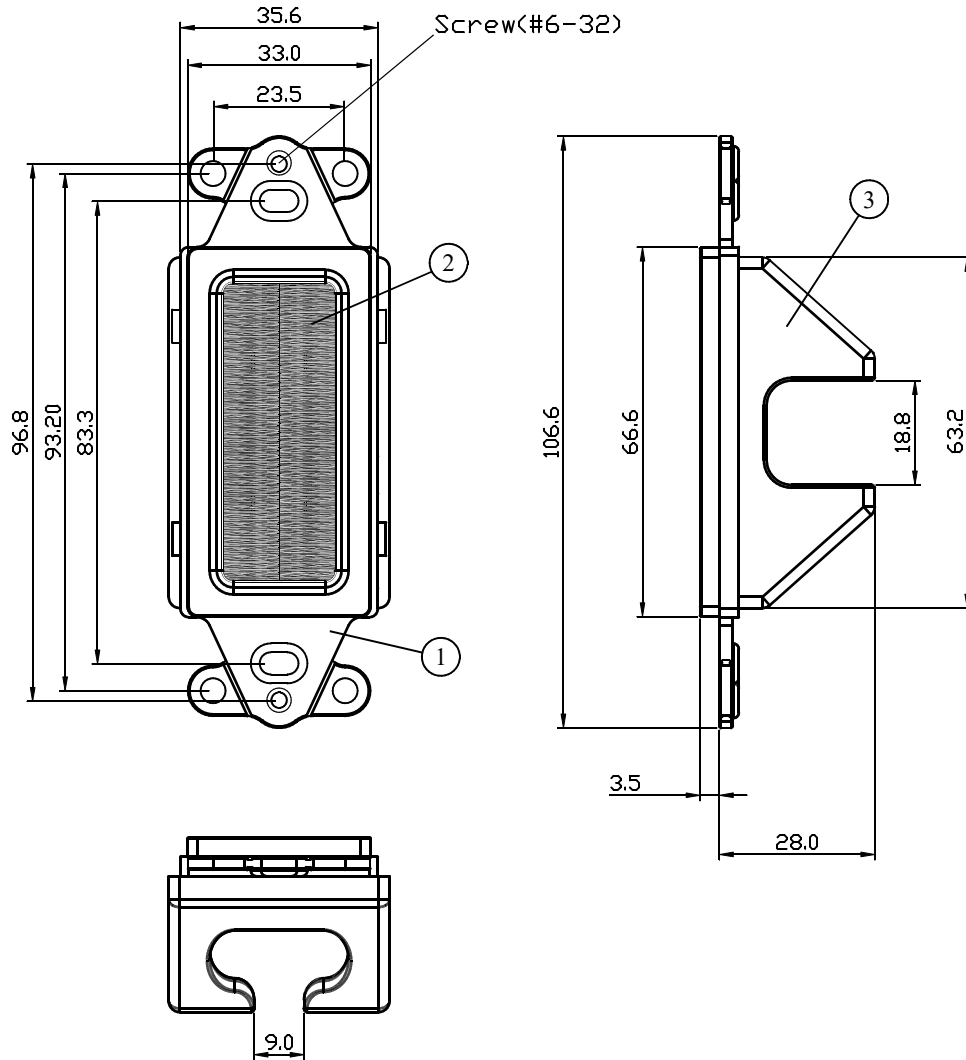


1 THE INFORMATION CONTAINED HEREON IS PROPRIETARY AND CONFIDENTIAL TO DYNACOM CORPORATION. AND SHALL NOT BE USED OR DISCLOSED, IN WHOLE OR IN PART WITHOUT FIRST OBTAINING THE WRITTEN PERMISSION OF DYNACOM CORPORATION. SPECIFICATIONS SUBJECT TO CHANGE WITHOUT NOTICE.

ZONE	REV.	DESCRIPTION	DATE	APPV.
-	A	INITIAL RELEASE	4/28/2023	E.A.
-	B			
-	C			
-	D			



3	Cover	ABS 94V-0	1
2	Brush	NYLON 6	2
1	Decora Bezel	ABS 94V-0	1
No.	PART NAME	MAT'L	Q'TY



e-mail...sales@dynamocorp.com  
www.dynamocorp.com

DIMENSIONS: MM

NEXT ASSY: -

DRAWN: E.A.

CHECKED: A.L.

TITLE

DECOR BRUSH INSERT

DWG. NO. SHEET 1 OF 1

10600-PDFA-XX

REV.

A