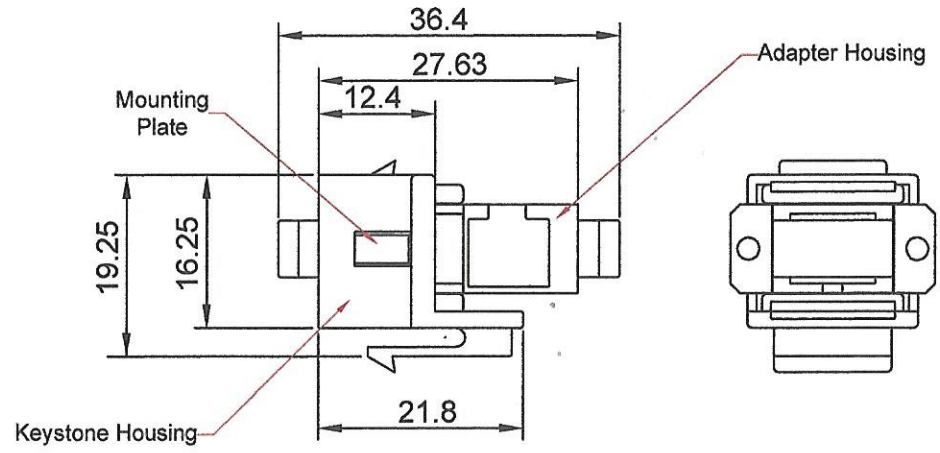
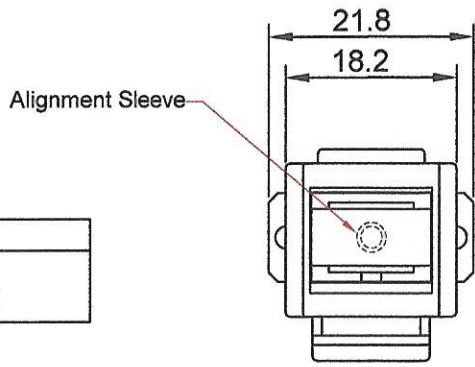


THE INFORMATION CONTAINED HEREON IS PROPRIETARY AND CONFIDENTIAL TO DYNACOM CORPORATION. AND SHALL NOT BE USED OR DISCLOSED, IN WHOLE OR IN PART WITHOUT FIRST OBTAINING THE WRITTEN PERMISSION OF DYNACOM CORPORATION.

ZONE	REV	DESCRIPTION	DATE	APPV.
-	A	INITIAL RELEASE	03/15/2018	E.A.

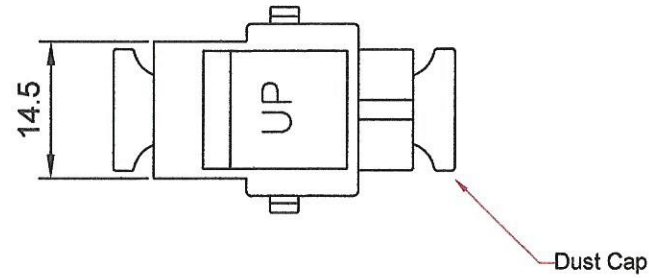
SPECIFICATION:

	MM
INSERTION LOSS (dB) (@1310nm)	0.20~0.30@ ΔIL avg



DESCRIPTION DATA

Part Number	10600-SC-MM4-XX
Style	LC Duplex-Multi Mode OM4
Keystone Housing	Material: Plastic, ABS UL94V0. Color: White or Ivory
Adapter Housing	Material: Plastic, ABS UL94V0. Color: Aqua
Alignment Sleeve	Material: Ceramic
Dust Cap	Material: Plastic, ABS UL94VO, Color-White
Mounting Plate	Stainless Steel



e-mail.....sales@dynacomcorp.com
webwww.dynacomcorp.com

TOLS:			
NEXT ASSY: -	DRAWN: E.A. 03/15/2018	CHECKED: -	
TITLE: LC Duplex Coupler Module, Multi Mode		DWG. NO. 10600-LC-MM4-XX	REV. A