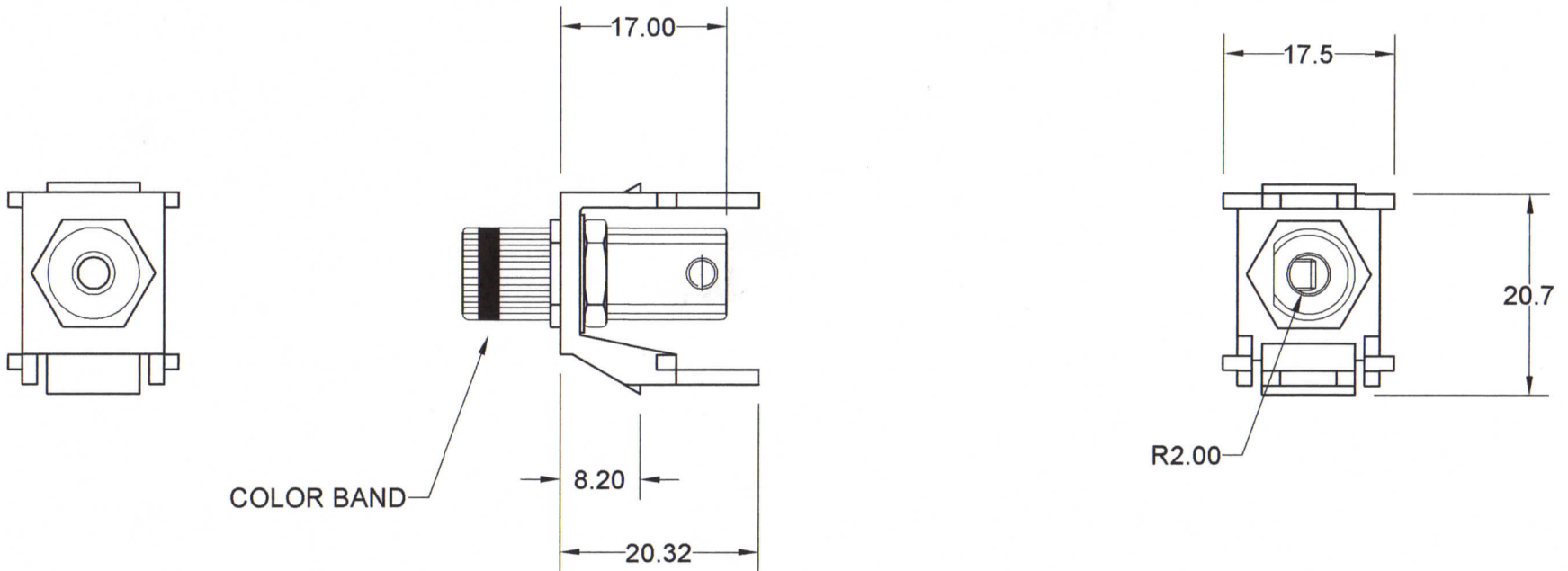


THE INFORMATION CONTAINED HEREON IS PROPRIETARY AND CONFIDENTIAL TO DYNACOM CORPORATION. AND SHALL NOT BE USED OR DISCLOSED, IN WHOLE OR IN PART WITHOUT FIRST OBTAINING THE WRITTEN PERMISSION OF DYNACOM CORPORATION.

| ZONE | REV | DESCRIPTION | DATE | APPV. |
|------|-----|--------------------------|------------|-------|
| - | A | INITIAL RELEASE | 08-01-2011 | E.A. |
| | B | ADDED NOTES AND REDRAWN. | 08-05-2011 | E.A. |

NOTES:

- MATERIAL: RECESSED BEZEL-ABS MEETS RATING 94V-0.
XX = BEZEL COLOR, IV OR WH.
- MATERIAL: CONNECTOR BODY with NUT
BRASS AND NICKEL FINISH.
- DESCRIPTION-BINDING POST TO SET SCREW ADAPTER MODULE (PAIR)
- COLOR BAND: RED FOR FOR ONE JACK, BLACK FOR MATING JACK.



e-mail.....sales@dynacomcorp.com
webwww.dynacomcorp.com

DIMENSIONS ARE SHOWN IN MILIMETERS.

| | | |
|-------------------------------|------------------------|-----------------------------|
| NEXT ASSY: - | DRAWN: E.A. 08/01/2011 | CHECKED: - |
| Binding Post Jack Pair | | DWG. NO. 10600-BP-XX |
| | | REV. B |