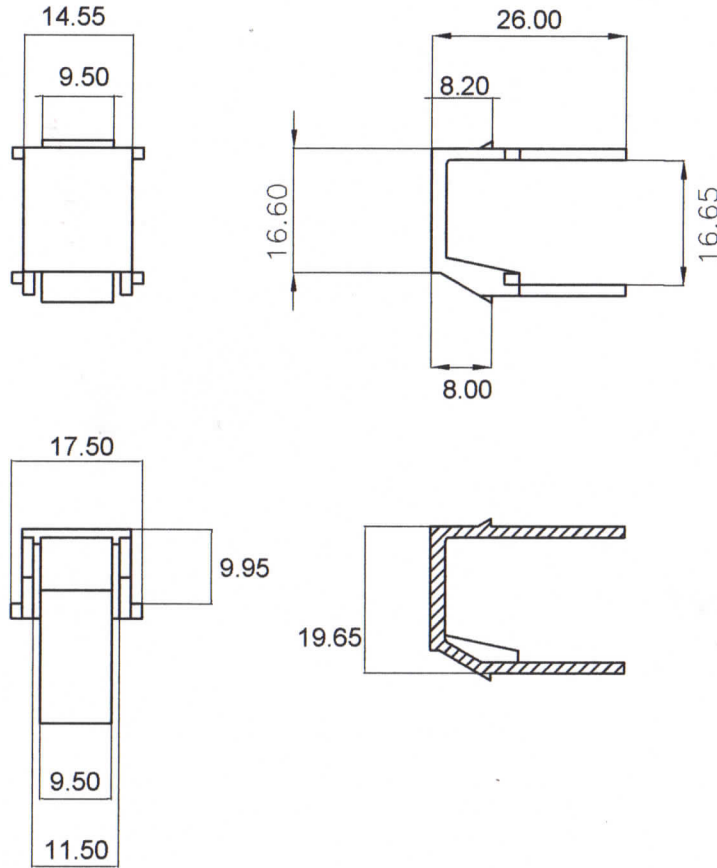


THE INFORMATION CONTAINED HEREON IS PROPRIETARY AND CONFIDENTIAL TO DYNACOM CORPORATION. AND SHALL NOT BE USED OR DISCLOSED, IN WHOLE OR IN PART WITHOUT FIRST OBTAINING THE WRITTEN PERMISSION OF DYNACOM CORPORATION.

ZONE	REV	DESCRIPTION	DATE	APPV.
-	A	INITIAL RELEASE	08-01-2011	E.A.



NOTES:

1. MATERIAL: ABS & MUST MEET RATING 94V-0.
COLOR: BLACK, IVORY, GRAY OPTIONAL.
2. PART TO BE FREE BURRS, SCRATCHES, SPOTS, SUCKS OR OTHER IMPERFECTIONS THAT MAY PREJUDICE THE APPEARANCE OR FUNCTIONS.
3. EXTRACTION ANGLES TO BE 0°30' MAXIMUM, WHENEVER NOT MENTIONED.
4. UNLESS OTHERWISE SPECIFIED TOLERANCE TO BE FOLLOWING: (I) LINEAR: ± 0.2mm.
(II) ANGULAR: 0°30'.
5. TEXTURE: MT11020

DIMENSIONS ARE SHOWN IN MILIMETERS.



e-mail.....sales@dynacomcorp.com
webwww.dynacomcorp.com

NEXT ASSY: -	DRAWN: E.A. 08/01/2011	CHECKED: -
TITLE: Blank Insert Module		DWG. NO. 10600-BLA-XX
		REV. A