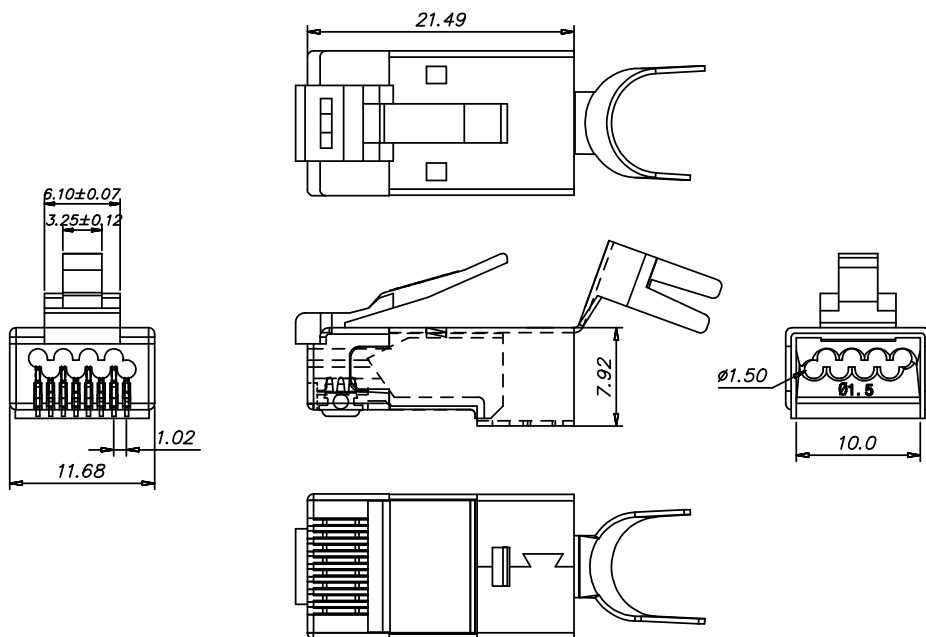


THE INFORMATION CONTAINED HEREON IS PROPRIETARY AND CONFIDENTIAL TO DYNACOM CORPORATION. AND SHALL NOT BE USED OR DISCLOSED, IN WHOLE OR IN PART WITHOUT FIRST OBTAINING THE WRITTEN PERMISSION OF DYNACOM CORPORATION. SPECIFICATIONS SUBJECT TO CHANGE WITHOUT NOTICE.

ZONE	REV.	DESCRIPTION	DATE	APPV.
-	A	INITIAL RELEASE	7/7/2023	E.A.
-	B			
-	C			
-	D			



**SPECIFICATIONS**

**1.ELECTRICAL:**

UL APPLICATIONS: 250 VOLTS AC MAX. AT 2 AMPS.  
 DIELECTRIC WITHSTANDING VOLTAGE : 1000 VOLTS AC. 60 SEC.  
 INSULATION RESISTANCE: 500 MΩ.  
 CONTACT RESISTANCE: 20mΩ MAX.  
 OPERATING AMBIENT TEMPERATURE: -40°C ~ 70°C.

**2.MECHANICAL:**

STRAIN RELIEF: 20POUND MIN.  
 DURABILITY: 1200 MATING CYCLES.

**3.MATERIAL:**

HOUSING: POLYCARBONATE, UL94V-2.  
 COLOR: TRANSPARENT.  
 CONTACT BLADE: COPPER ALLOY.  
 GOLD PLATING: 50u".  
 SHIELDED SHELL: COPPER NICKEL ALLOY.

**4. USAGE:**

SUITABLE FOR STRANDED & SOLID WIRE 22AWG ~ 26 AWG.  
 (WIRE OD Ø 1.35 - Ø1.45)

BLADE:		
Drawing		

GOLD PLATING 50u"

CABLE TYPE ROUND

PRODUCT	SIZE
401PRSL20-C6A	20 PIECES



e-mail...sales@dynacomcorp.com

www.dynacomcorp.com

DIMENSIONS: MM

NEXT ASSY: -

DRAWN: E.A.

CHECKED: A.L.

TITLE

PLUG CAT6A PASS THROUGH SHIELDED, LARGE OD

DWG. NO.

401PRSL20-C6A

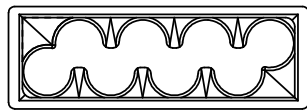
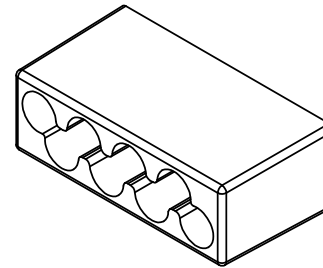
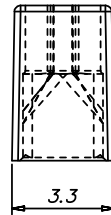
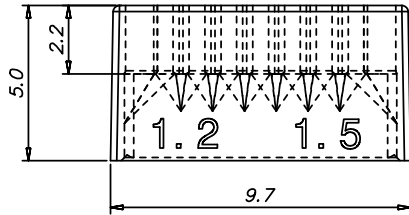
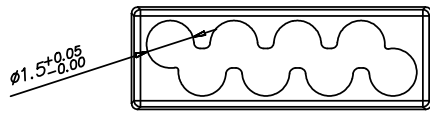
SHEET 1 OF 2

REV.

A

1 THE INFORMATION CONTAINED HEREON IS PROPRIETARY AND CONFIDENTIAL TO DYNACOM CORPORATION. AND SHALL NOT BE USED OR DISCLOSED, IN WHOLE OR IN PART WITHOUT FIRST OBTAINING THE WRITTEN PERMISSION OF DYNACOM CORPORATION. SPECIFICATIONS SUBJECT TO CHANGE WITHOUT NOTICE.

ZONE	REV.	DESCRIPTION	DATE	APPV.
-	A	INITIAL RELEASE	7/7/2023	E.A.
-	B			
-	C			
-	D			



LOADING BAR



e-mail...sales@dynacomcorp.com  
www.dynacomcorp.com

DIMENSIONS: MM

NEXT ASSY: -

DRAWN: E.A.

CHECKED: A.L.

TITLE  
PLUG CAT6A PASS THROUGH SHIELDED, LARGE OD

DWG. NO. SHEET 2 OF 2

401PRSL20-C6A

REV.  
A